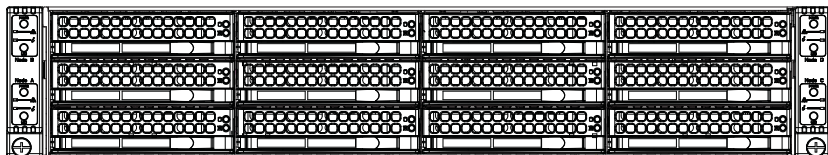


# SUPERO<sup>®</sup>

SuperServer 6026TT-HTF  
SuperServer 6026TT-HTRF  
SuperServer 6026TT-HIBXF  
SuperServer 6026TT-HIBXRF  
SuperServer 6026TT-HIBQF  
SuperServer 6026TT-HIBQRF



## USER'S MANUAL

Revision 1.0d

The information in this User's Manual has been carefully reviewed and is believed to be accurate. The vendor assumes no responsibility for any inaccuracies that may be contained in this document, makes no commitment to update or to keep current the information in this manual, or to notify any person or organization of the updates. **Please Note: For the most up-to-date version of this manual, please see our web site at [www.supermicro.com](http://www.supermicro.com).**

Super Micro Computer, Inc. ("Supermicro") reserves the right to make changes to the product described in this manual at any time and without notice. This product, including software and documentation, is the property of Supermicro and/or its licensors, and is supplied only under a license. Any use or reproduction of this product is not allowed, except as expressly permitted by the terms of said license.

IN NO EVENT WILL SUPERMICRO BE LIABLE FOR DIRECT, INDIRECT, SPECIAL, INCIDENTAL, SPECULATIVE OR CONSEQUENTIAL DAMAGES ARISING FROM THE USE OR INABILITY TO USE THIS PRODUCT OR DOCUMENTATION, EVEN IF ADVISED OF THE POSSIBILITY OF SUCH DAMAGES. IN PARTICULAR, SUPERMICRO SHALL NOT HAVE LIABILITY FOR ANY HARDWARE, SOFTWARE, OR DATA STORED OR USED WITH THE PRODUCT, INCLUDING THE COSTS OF REPAIRING, REPLACING, INTEGRATING, INSTALLING OR RECOVERING SUCH HARDWARE, SOFTWARE, OR DATA.

Any disputes arising between manufacturer and customer shall be governed by the laws of Santa Clara County in the State of California, USA. The State of California, County of Santa Clara shall be the exclusive venue for the resolution of any such disputes. Super Micro's total liability for all claims will not exceed the price paid for the hardware product.

FCC Statement: This equipment has been tested and found to comply with the limits for a Class A digital device pursuant to Part 15 of the FCC Rules. These limits are designed to provide reasonable protection against harmful interference when the equipment is operated in a commercial environment. This equipment generates, uses, and can radiate radio frequency energy and, if not installed and used in accordance with the manufacturer's instruction manual, may cause harmful interference with radio communications. Operation of this equipment in a residential area is likely to cause harmful interference, in which case you will be required to correct the interference at your own expense.

California Best Management Practices Regulations for Perchlorate Materials: This Perchlorate warning applies only to products containing CR (Manganese Dioxide) Lithium coin cells. "Perchlorate Material-special handling may apply. See [www.dtsc.ca.gov/hazardouswaste/perchlorate](http://www.dtsc.ca.gov/hazardouswaste/perchlorate)"

**WARNING: Handling of lead solder materials used in this product may expose you to lead, a chemical known to the State of California to cause birth defects and other reproductive harm.**

Manual Revision 1.0d  
Release Date: May 08, 2013

Unless you request and receive written permission from Super Micro Computer, Inc., you may not copy any part of this document.

Information in this document is subject to change without notice. Other products and companies referred to herein are trademarks or registered trademarks of their respective companies or mark holders.

Copyright © 2013 by Super Micro Computer, Inc.  
All rights reserved.

**Printed in the United States of America**

# Preface

## About This Manual

This manual is written for professional system integrators and PC technicians. It provides information for the installation and use of the SuperServer 6026TT-HT(R)F/HIBX(R)F/HIBQ(R)F. Installation and maintenance should be performed by experienced technicians only.

The SuperServer 6026TT-HT(R)F/HIBX(R)F/HIBQ(R)F is a 2U Twin<sup>2</sup> (four serverboards/nodes in a 2U chassis) rackmount server based on the SC827H-(R)1400B server chassis and six serverboards (Super X8DTT-H(F)/HIBX(F)/HIBQ(F)). An optional redundant power supply may be added to the system (indicated by the "(R)" in the product name). The "(H)" in the product name indicates that the system is cableless.

The main differences between the various serverboards, and the servers they are in, is shown in the table below:

Model Variations (Differences between X8DTT-H models)						
	X8DTT-H	/-HF	/-HIBX	/-HIBXF	/-HIBQ	/HIBQF
IPMI 2.0 w/ KVM Over LAN	No	Yes	No	Yes	No	Yes
InfiniBand Connection	No	No	Yes	Yes	Yes	Yes
DDR IB	No	No	Yes	Yes	No	No
QDR IB	No	No	No	No	Yes	Yes

## Manual Organization

### Chapter 1: Introduction

The first chapter provides a checklist of the main components included with the server system and describes the main features of the Super X8DTT-H(F)/HIBX(F)/HIBQ(F) serverboard and the SC827H-(R)1400B chassis.

### Chapter 2: Server Installation

This chapter describes the steps necessary to install the SuperServer 6026TT-HT(R)F/HIBX(R)F/HIBQ(R)F into a rack and check out the server configuration prior to powering up the system. If your server was ordered without the processor and memory components, this chapter will refer you to the appropriate sections of the manual for their installation.

### **Chapter 3: System Interface**

Refer to this chapter for details on the system interface, which includes the functions and information provided by the control panel on the chassis as well as other LEDs located throughout the system.

### **Chapter 4: System Safety**

You should thoroughly familiarize yourself with this chapter for a general overview of safety precautions that should be followed when installing and servicing the SuperServer 6026TT-HT(R)/F/HIBX(R)/F/HIBQ(R)/F.

### **Chapter 5: Advanced Serverboard Setup**

Chapter 5 provides detailed information on the X8DTT-H(F)/HIBX(F)/HIBQ(F) serverboard, including the locations and functions of connectors, headers and jumpers. Refer to this chapter when adding or removing processors or main memory and when reconfiguring the serverboard.

### **Chapter 6: Advanced Chassis Setup**

Refer to Chapter 6 for detailed information on the SC827H-(R)1400B 2U rackmount server chassis. You should follow the procedures given in this chapter when installing, removing or reconfiguring SATA or peripheral drives and when replacing system power supply units and cooling fans.

### **Chapter 7: BIOS**

The BIOS chapter includes an introduction to BIOS and provides detailed information on running the CMOS Setup Utility.

### **Appendix A: BIOS Error Beep Codes**

### **Appendix B: Installing Windows**

### **Appendix C: System Specifications**

## Notes

## Table of Contents

### Chapter 1 Introduction

1-1	Overview .....	1-1
1-2	Serverboard Features .....	1-2
	Processors .....	1-2
	Memory .....	1-2
	Serial ATA.....	1-2
	PCI Expansion Slots .....	1-2
	Ethernet Ports .....	1-3
	Onboard Controllers/Ports .....	1-3
	Graphics Controller .....	1-3
	Other Features .....	1-3
	InfiniBand .....	1-3
1-3	Server Chassis Features .....	1-5
	System Power .....	1-5
	SATA Subsystem.....	1-5
	Control Panel .....	1-5
	Rear I/O Panel .....	1-5
	Cooling System.....	1-5
1-4	Advanced Power Management (for -F Models Only) .....	1-6
	Intel® Intelligent Power Node Manager (NM).....	1-6
	Manageability Engine (ME).....	1-6
1-5	Contacting Supermicro.....	1-7
1-6	2U Twin <sup>2</sup> : System Notes .....	1-8
	Nodes.....	1-8
	System Power .....	1-8
	SATA Backplane/Drives.....	1-8

### Chapter 2 Server Installation

2-1	Overview .....	2-1
2-2	Unpacking the System .....	2-1
2-3	Preparing for Setup.....	2-1
	Choosing a Setup Location.....	2-2
2-4	Warnings and Precautions.....	2-2
	Rack Precautions .....	2-2
	Server Precautions.....	2-2
	Rack Mounting Considerations .....	2-3
	Ambient Operating Temperature .....	2-3

---

---

	Reduced Airflow .....	2-3
	Mechanical Loading .....	2-3
	Circuit Overloading.....	2-3
	Reliable Ground .....	2-4
	Removing the Protective Film.....	2-4
2-5	Rack Mounting Instructions.....	2-5
	Separating the Sections of the Rack Rails.....	2-5
	Installing the Inner Rail Extensions .....	2-6
	Outer Rack Rails.....	2-7
2-6	Checking the Serverboard Setup.....	2-9
2-7	Preparing to Power On .....	2-10
<b>Chapter 3 System Interface</b>		
3-1	Overview .....	3-1
3-2	Control Panel Buttons .....	3-1
	Power .....	3-1
	UID .....	3-1
3-3	Control Panel LEDs .....	3-2
	Alert.....	3-2
	NIC .....	3-2
3-4	SATA Drive Carrier LEDs.....	3-2
<b>Chapter 4 Standardized Warning Statements for AC Systems</b>		
4-1	About Standardized Warning Statements.....	4-1
	Warning Definition .....	4-1
	Installation Instructions.....	4-4
	Circuit Breaker .....	4-5
	Power Disconnection Warning .....	4-6
	Equipment Installation.....	4-8
	Restricted Area.....	4-9
	Battery Handling.....	4-10
	Redundant Power Supplies .....	4-12
	Backplane Voltage .....	4-13
	Comply with Local and National Electrical Codes .....	4-14
	Product Disposal .....	4-15
	Hot Swap Fan Warning.....	4-16
	Power Cable and AC Adapter .....	4-18

---

**Chapter 5 Advanced Serverboard Setup**

5-1	Handling the Serverboard .....	5-1
	Precautions .....	5-1
	Unpacking .....	5-1
5-2	Serverboard Installation .....	5-2
5-3	Connecting Cables .....	5-2
	Connecting Data Cables .....	5-3
	Connecting Power Cables .....	5-3
	Connecting the Control Panel .....	5-3
5-4	I/O Ports .....	5-4
5-5	Processor and Heatsink Installation .....	5-5
	Installing LGA1366 Processors .....	5-5
	Installing a CPU Heatsink .....	5-7
	Removing the Heatsink .....	5-8
5-6	Installing Memory .....	5-9
	Memory Support .....	5-9
5-7	Adding PCI Cards .....	5-12
5-8	Serverboard Details .....	5-13
5-9	Connector Definitions .....	5-15
5-10	Jumper Settings .....	5-21
5-11	Onboard Indicators .....	5-23
5-12	Serial ATA Connections .....	5-24
5-13	Installing Drivers .....	5-25
	Supero Doctor III .....	5-26
5-14	Serverboard Battery .....	5-28

**Chapter 6 Advanced Chassis Setup**

6-1	Static-Sensitive Devices .....	6-1
	Precautions .....	6-1
	Unpacking .....	6-1
6-2	Control Panel .....	6-2
6-3	System Fans .....	6-2
	Fan Configuration .....	6-3
	System Fan Failure .....	6-3
6-4	Hard Drive Installation/Removal .....	6-4
	Overview .....	6-4
	Installing and Removing Hard Drives .....	6-4
6-5	Node Installation/Removal .....	6-7
6-6	Installing the Air Shrouds .....	6-9



---

---

	Air Shrouds .....	6-9
6-7	Power Supply .....	6-9
	Power Supply Failure: Single Power Supply Module .....	6-9
	Power Supply Failure: Redundant Power (Two Modules) .....	6-10

**Chapter 7 BIOS**

7-1	Introduction .....	7-1
	Starting BIOS Setup Utility .....	7-1
	How To Change the Configuration Data .....	7-1
	Starting the Setup Utility .....	7-2
7-2	Main Setup .....	7-2
7-3	Advanced Setup Configurations .....	7-4
7-4	Security Settings .....	7-24
7-5	Boot Configuration .....	7-25
7-6	Exit Options .....	7-26
7-7	BIOS Recovery .....	7-28
	How to Recover the AMIBIOS Image (-the Main BIOS Block) .....	7-28
	Boot Sector Recovery from a USB Device .....	7-28
	Boot Sector Recovery from an IDE CD-ROM .....	7-29
	Boot Sector Recovery from a Serial Port ("Serial Flash") .....	7-29

**Appendix A BIOS Error Beep Codes**

A-1	BIOS Error Beep Codes .....	A-1
-----	-----------------------------	-----

**Appendix B System Specifications**

**Notes**

# Chapter 1

## Introduction

### 1-1 Overview

The SuperServer 6026TT-HT(R)/F/HIBX(R)/F/HIBQ(R)/F is a "2U Twin<sup>2</sup>" server comprised of the SC827H-(R)1400B 2U chassis and four X8DTT-H(F)/HIBX(F)/HIBQ(F) serverboards. Please refer to our web site for information on operating systems that have been certified for use with the SuperServer 6026TT-HT(R)/F/HIBX(R)/F/HIBQ(R)/F ([www.supermicro.com](http://www.supermicro.com)).

In addition to the serverboard and chassis, various hardware components may have been included with the system, as listed below.

- Eight passive CPU heatsinks (SNK-P0037P)
- Four 8-cm cooling fans (FAN-0111L4)
- Four air shrouds (MCP-310-82706-0B)
- SATA Accessories:
  - Twelve SATA hard drive carriers (three per node) (MCP-220-00024-0B)
  - One internal HDD backplane (BPN-SAS-827B)
- Four PCI Express x16 riser cards (RSC-R1U-E16R)
- Rackmount rails kit (MCP-290-00053-0N)

**Note:** The SuperServer 6026TT-HT(R)/F/HIBX(R)/F/HIBQ(R)/F system is cableless and does not need or come with SATA cables.

**Note:** For your system to work properly, please follow the links below to download all necessary drivers/utilities and the user's manual for your server.

- SMCI product manuals: <http://www.supermicro.com/support/manuals/>
- Product drivers and utilities: <ftp://ftp.supermicro.com>
- Product safety information:  
[http://super-dev/about/policies/safety\\_information.cfm](http://super-dev/about/policies/safety_information.cfm)
- If you have any questions, please contact our support team at:  
[support@supermicro.com](mailto:support@supermicro.com)

## 1-2 Serverboard Features

At the heart of the SuperServer 6026TT-HT(R)/F/HIBX(R)/F/HIBQ(R)/F are four X8DTT-H(F)/HIBX(F)/HIBQ(F) dual processor serverboards, which are based on Intel's 5520 (North Bridge) + ICH10R (South Bridge) chipset. Below are the main features of the serverboards. Note that the features on each board are quadrupled for the server, which includes four nodes.

### Processors

Each X8DTT-H(F)/HIBX(F)/HIBQ(F) supports two Intel® 5500/5600 series processors in LGA 1366 sockets (up to 95w). Please refer to our web site for a complete listing of supported processors ([www.supermicro.com](http://www.supermicro.com)).

### Memory

Each X8DTT-H(F)/HIBX(F)/HIBQ(F) has twelve (12) DIMM sockets that can support up to 192 GB of registered ECC DDR3-1333/1066/800 MHz speed SDRAM, or 48 GB of Unbuffered ECC/Non-ECC DDR3-1333/1066/800 MHz speed memory (with max. 4 GB of Registered ECC and 2 GB of Unbuffered memory per DIMM slot.) for a maximum of 192 GB for the system. See Chapter 5 for more details on installing memory into the system.

### Serial ATA

The South Bridge (ICH10R) of the chipset includes a Serial ATA controller for six Gb/s SATA drives. The hot-swappable SATA drives are connected to a backplane that provides power, bus termination and configuration settings. RAID 0, 1, 5 and 10 are supported. Refer to the support area of our web site for procedures on setting up RAID on your system.

### PCI Expansion Slots

Each X8DTT-H(F)/HIBX(F)/HIBQ(F) board has 1x PCI Express 2.0 x16 slot, so four PCI Express 2.0 x16 slots (for low-profile expansion cards) are provided in the server. In the SuperServer 6026TT-HT(R)/F/HIBX(R)/F/HIBQ(R)/F server configuration, riser cards have been pre-installed to support low-profile add-on cards.

## Ethernet Ports

An Intel® network controller is integrated into each of the serverboards to support two Gigabit LAN ports (100/1000Base-T/1000BaseTX, RJ45 output).

## Onboard Controllers/Ports

Onboard I/O backpanel ports on each serverboard include one COM port, a VGA port, two USB ports, a dedicated IPMI LAN port and two Gigabit LAN (NIC) ports. An InfiniBand port is also included on the X8DTT-HIBXF/-HIBQF serverboards (the 6026TT-HIBX(R)F and 6026TT-HIBQ(R)F only). Up to four USB 2.0 (Universal Serial Bus) connections (2 Rear USB Ports and 1 Type A Header w/2 USB connections supported) are on each of the servers. There are four sets of I/O ports included in the server (one set for each serverboard).

## Graphics Controller

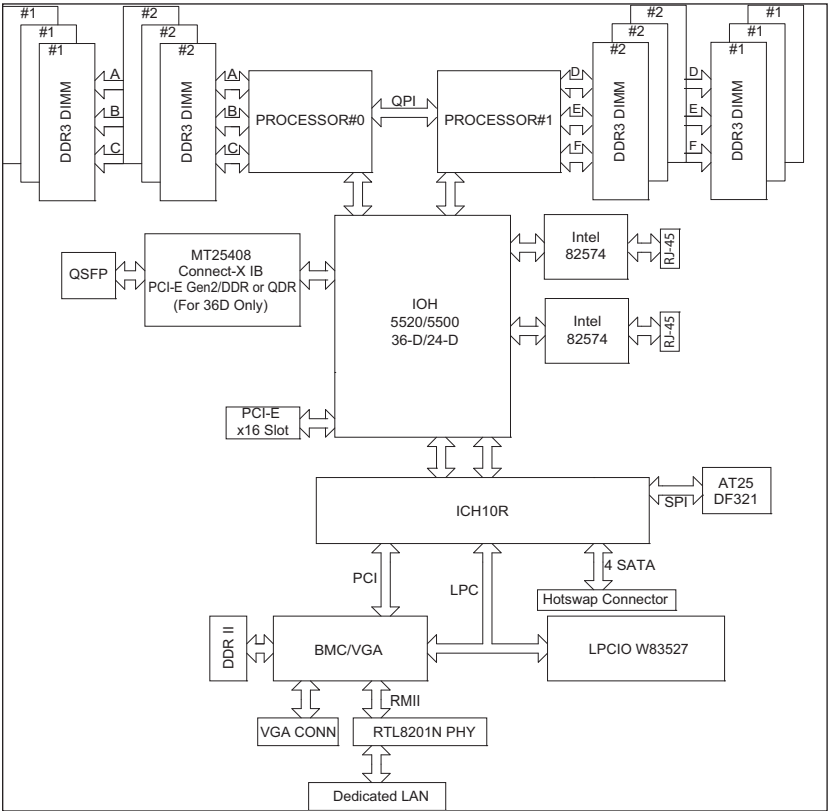
The X8DTT-H(F)/HIBX(F)/HIBQ(F) features an integrated Matrox G200eW graphics chip, which includes 8 MB of DDR2 memory.

## Other Features

Other onboard features that promote system health include voltage monitors, auto-switching voltage regulators, chassis and CPU overheat sensors, virus protection and BIOS rescue.

## InfiniBand

Both the 6026TT-HIBX(R)F and 6026TT-HIBQ(R)F include an InfiniBand port at DDR (dual data rate) and QDR (quad data rate) speeds, respectively. InfiniBand is a scalable serial communications link intended for connecting processors with high-speed peripherals. (InfiniBand requires a QSFP connector.)



**Figure 1-1. Intel 5520 Chipset:  
System Block Diagram**

**Note1:** This is a general block diagram. Please see Chapter 5 for details.

**Note2:** The Intel 5500 (IOH-24D) chipset is available for OEM only.

## 1-3 Server Chassis Features

The following is a general outline of the main features of the SC827H-(R)1400B 2U chassis. Details on the chassis can be found in Chapter 6.

### System Power

When configured as a SuperServer 6026TT-HT(R)F/HIBX(R)F/HIBQ(R)F, the SC827H-(R)1400B includes a single 1400 Watt power supply, which provides power to all four serverboards (nodes). An additional 1400 Watt power supply module (not included) may be installed to provide redundant power for the 6026TT-HTRF/HIBXRF/HIBQRF models.

### SATA Subsystem

The SC827H-(R)1400B chassis was designed to support twelve SATA hard drives, which are hot-swappable units. There are three hard drives per node in the system.

### Control Panel

The SC827H-(R)1400B features four independent control panels associated with each serverboard (node) in the chassis. Each control panel has LEDs to indicate power on, network activity, power fail, fan fail, system overheat conditions and the UID LED. Each control panel also includes a main power button and a UID button.

### Rear I/O Panel

The SC827H-(R)1400B is a 2U rackmount chassis. Its I/O panel provides a slots for four low-profile PCI Express x16 expansion cards, four COM ports, eight USB ports, four VGA ports and eight Gb Ethernet ports. See Chapter 6 for details.

### Cooling System

The SC827H-(R)1400B chassis has an innovative cooling design that features four (4) 8-cm high-performance fans. A fan speed control setting in BIOS allows fan speed to be determined by system temperature. See Chapter 6 for details.

## **1-4 Advanced Power Management (for -F Models Only)**

### **Intel® Intelligent Power Node Manager (NM)**

The Intel® Intelligent Power Node Manager (IPNM) provides your system with real-time thermal control and power management for maximum energy efficiency. Although IPNM Specification Version 1.5 is supported by the BMC (Baseboard Management Controller), your system must also have IPNM-compatible Manageability Engine (ME) firmware installed to use this feature.

### **Manageability Engine (ME)**

The Manageability Engine, which is an ARC controller embedded in the IOH (I/O Hub), provides Server Platform Services (SPS) to your system. The services provided by SPS are different from those provided by the ME on client platforms.



## 1-5 Contacting Supermicro

### Headquarters

Address: Super Micro Computer, Inc.  
980 Rock Ave.  
San Jose, CA 95131 U.S.A.

Tel: +1 (408) 503-8000

Fax: +1 (408) 503-8008

Email: [marketing@supermicro.com](mailto:marketing@supermicro.com) (General Information)  
[support@supermicro.com](mailto:support@supermicro.com) (Technical Support)

Web Site: [www.supermicro.com](http://www.supermicro.com)

### Europe

Address: Super Micro Computer B.V.  
Het Sterrenbeeld 28, 5215 ML  
's-Hertogenbosch, The Netherlands

Tel: +31 (0) 73-6400390

Fax: +31 (0) 73-6416525

Email: [sales@supermicro.nl](mailto:sales@supermicro.nl) (General Information)  
[support@supermicro.nl](mailto:support@supermicro.nl) (Technical Support)  
[rma@supermicro.nl](mailto:rma@supermicro.nl) (Customer Support)

### Asia-Pacific

Address: Super Micro Computer, Inc.  
4F, No. 232-1, Liancheng Rd.  
Chung-Ho Dist., New Taipei City 235  
Taiwan

Tel: +886-(2) 8226-3990

Fax: +886-(2) 8226-3991

Web Site: [www.supermicro.com.tw](http://www.supermicro.com.tw)

Technical Support:

Email: [support@supermicro.com.tw](mailto:support@supermicro.com.tw)

Tel: +886-(2)-8226-3990

## 1-6 2U Twin<sup>2</sup>: System Notes

As a 2U Twin<sup>2</sup> configuration, the SuperServer 6026TT-HT(R)F/HIBX(R)F/HIBQ(R)F is a unique server system. With four system boards incorporated into a single chassis acting as four separate nodes, there are several points you should keep in mind.

### Nodes

Each of the four serverboards act as a separate node in the system. As independent nodes, each may be powered off and on without affecting the others. In addition, each node is a hot-swappable unit that may be removed from the rear of the chassis. The nodes are connected to the server backplane by means of an adapter card.

### System Power

6026TT-HTF/HIBXF/HIBQF: a single 1400 Watt power supply is used to provide the power for all four serverboards. Each serverboard however, can be shut down independently of the other with the power button on its own control panel.

6026TT-HTRF/HIBXRF/HIBQRF: this version of the server has an additional 1400 Watt power supply module (two total) for power redundancy. If a power supply module fails the other backup module will keep the system running until it can be replaced.

### SATA Backplane/Drives

As a system, the SuperServer 6026TT-HT(R)F/HIBX(R)F/HIBQ(R)F supports the use of twelve SATA drives. A single SATA backplane works to apply system-based control for power and fan speed functions, yet at the same time logically connects a set of three SATA drives to each serverboard. Consequently, RAID setup is limited to a three-drive scheme (RAID cannot be spread across all twelve drives). See the *Drive Bay Installation/Removal* section in Chapter 6 for the logical hard drive and node configuration.

## Chapter 2

# Server Installation

### 2-1 Overview

This chapter provides a quick setup checklist to get the SuperServer 6026TT-HT(R)F/HIBX(R)F/HIBQ(R)F up and running. Following these steps in the order given should enable you to have the system operational within a minimum amount of time. This quick setup assumes that your system has come to you with the processors and memory preinstalled. If your system is not already fully integrated with a serverboard, processors, system memory etc., please turn to the chapter or section noted in each step for details on installing specific components.

### 2-2 Unpacking the System

You should inspect the box the system was shipped in and note if it was damaged in any way. If the server itself shows damage you should file a damage claim with the carrier who delivered it.

Decide on a suitable location for the rack unit that will hold the server. It should be situated in a clean, dust-free area that is well ventilated. Avoid areas where heat, electrical noise and electromagnetic fields are generated. You will also need it placed near a grounded power outlet. Be sure to read the Rack and Server Precautions in the next section.

### 2-3 Preparing for Setup

The box the server was shipped in should include the rackmount hardware needed to install the system into the rack. Follow the steps in the order given to complete the installation process in a minimum amount of time. Please read this section in its entirety before you begin the installation procedure outlined in the sections that follow.

## Choosing a Setup Location

- Leave enough clearance in front of the rack to enable you to open the front door completely (~25 inches).
- Leave approximately 30 inches of clearance in the back of the rack to allow for sufficient airflow and ease in servicing.
- This product is for installation only in a Restricted Access Location (dedicated equipment rooms, service closets and the like).
- This product is not suitable for use with visual display work place devices according to §2 of the the German Ordinance for Work with Visual Display Units.

## 2-4 Warnings and Precautions

### Rack Precautions

- Ensure that the leveling jacks on the bottom of the rack are fully extended to the floor with the full weight of the rack resting on them.
- In single rack installation, stabilizers should be attached to the rack.
- In multiple rack installations, the racks should be coupled together.
- Always make sure the rack is stable before extending a component from it.
- You should extend only one component at a time - extending two or more simultaneously may cause the rack to become unstable.

### Server Precautions

- Review the electrical and general safety precautions in Chapter 4.
- Determine the placement of each component in the rack *before* you install the rails.
- Install the heaviest server components on the bottom of the rack first, and then work up.
- Use a regulating uninterruptible power supply (UPS) to protect the server from power surges, voltage spikes and to keep your system operating in case of a power failure.
- Allow the hot plug SATA drives and power supply modules to cool before touching them.
- Always keep the rack's front door and all panels and components on the servers closed when not servicing to maintain proper cooling.

- Make sure all power and data cables are properly connected and not blocking the chassis airflow. See Chapter 5 for details on cable connections.

## **Rack Mounting Considerations**



**Warning!** To prevent bodily injury when mounting or servicing this unit in a rack, you must take special precautions to ensure that the system remains stable. The following guidelines are provided to ensure your safety:

- This unit should be mounted at the bottom of the rack if it is the only unit in the rack.
- When mounting this unit in a partially filled rack, load the rack from the bottom to the top with the heaviest component at the bottom of the rack.
- If the rack is provided with stabilizing devices, install the stabilizers before mounting or servicing the unit in the rack.

### ***Ambient Operating Temperature***

If installed in a closed or multi-unit rack assembly, the ambient operating temperature of the rack environment may be greater than the ambient temperature of the room. Therefore, consideration should be given to installing the equipment in an environment compatible with the manufacturer's maximum rated ambient temperature (T<sub>mra</sub>).

### ***Reduced Airflow***

Equipment should be mounted into a rack so that the amount of airflow required for safe operation is not compromised.

### ***Mechanical Loading***

Equipment should be mounted into a rack so that a hazardous condition does not arise due to uneven mechanical loading.

### ***Circuit Overloading***

Consideration should be given to the connection of the equipment to the power supply circuitry and the effect that any possible overloading of circuits might have on overcurrent protection and power supply wiring. Appropriate consideration of equipment nameplate ratings should be used when addressing this concern.

### **Reliable Ground**

A reliable ground must be maintained at all times. To ensure this, the rack itself should be grounded. Particular attention should be given to power supply connections other than the direct connections to the branch circuit (i.e. the use of power strips, etc.).

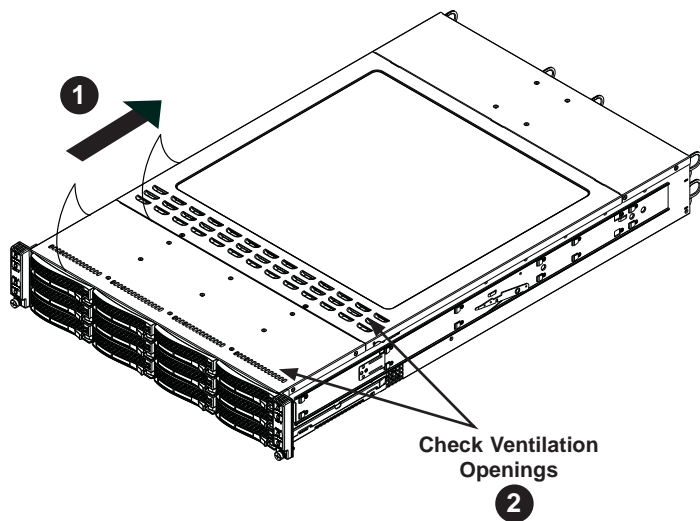
### **Removing the Protective Film**

Before operating the 6026TT server for the first time, it is important to remove the protective film covering the top of the chassis, in order to allow for proper ventilation and cooling.

#### **Removing the Protective Film**

1. Peel off the protective film covering the top cover and the top of the chassis
2. Check that all ventilation openings on the top cover and the top of the chassis are clear and unobstructed.

**Figure 2-1: Removing the Protective Film**



**Warning:** Except for short periods of time, do NOT operate the server without the cover in place. The chassis cover must be in place to allow proper airflow and prevent overheating.

## 2-5 Rack Mounting Instructions



**Warning:** Do not pick up the server with the front handles. They are designed to pull the system from a rack only.



**Stability Hazard:** The rack stabilizing mechanism must be in place, or the rack must be bolted to the floor before you slide the unit out for servicing. Failure to stabilize the rack can cause the rack to tip over.

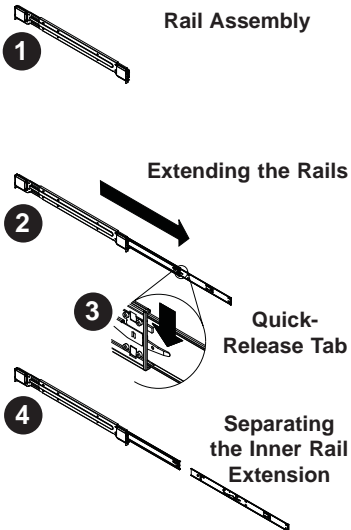
This section provides information on installing the SC827 chassis into a rack unit with the quick-release rails provided. There are a variety of rack units on the market, which may mean the assembly procedure will differ slightly. You should also refer to the installation instructions that came with the rack unit you are using.

**Note:** This rail will fit a rack between 26" and 33.5" deep.

### Separating the Sections of the Rack Rails

The chassis package includes two rail assemblies in the rack mounting kit. Each assembly consists of two sections: an inner fixed chassis rail that secures directly to the server chassis and an outer fixed rack rail that secures directly to the rack itself.

**Figure 2-2. Separating the Rack Rails**



#### *Separating the Inner and Outer Rails*

1. Locate the rail assembly in the chassis packaging.
2. Extend the rail assembly by pulling it outward.
3. Press the quick-release tab.
4. Separate the inner rail extension from the outer rail assembly.

## Installing the Inner Rail Extensions

The SC827 chassis includes a set of inner rails in two sections: inner rails and inner rail extensions. The inner rails are pre-attached to the chassis, and do not interfere with normal use of the chassis if you decide not to use a server rack. The inner rail extension is attached to the inner rail to mount the chassis in the rack.

### *Installing the Inner Rails*

1. Place the inner rail extensions on the side of the chassis aligning the hooks of the chassis with the rail extension holes. Make sure the extension faces "outward" just like the pre-attached inner rail.
2. Slide the extension toward the front of the chassis.
3. Secure the chassis with 2 screws as illustrated. Repeat steps for the other inner rail extension.

**Figure 2-3. Installing the Inner Rail Extensions**

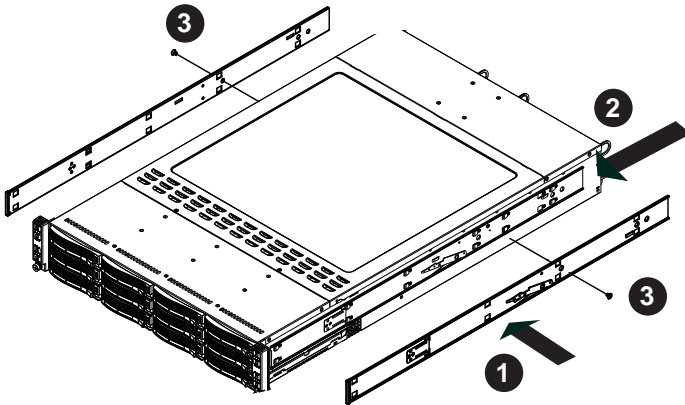
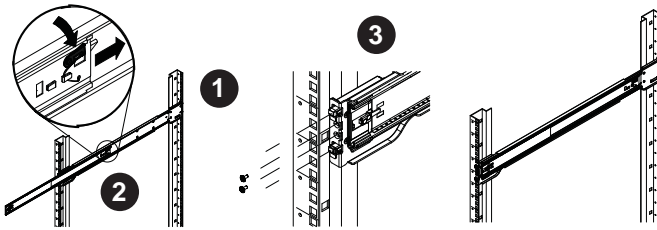




Figure 2-4: Assembling the Outer Rails

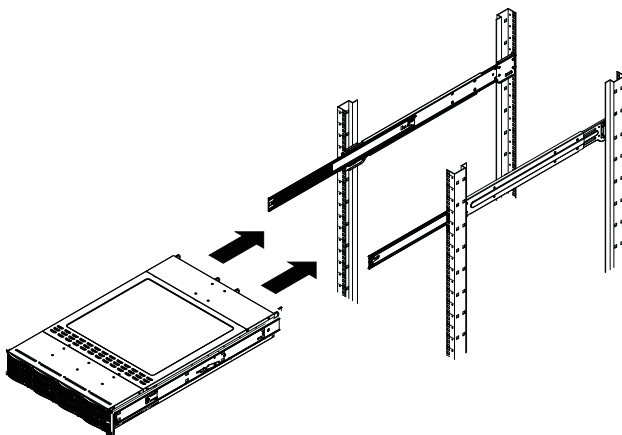


## Outer Rack Rails

Outer rails attach to the rack and hold the chassis in place. The outer rails for the SC827 chassis extend between 30 inches and 33 inches.

### *Installing the Outer Rails to the Rack*

1. Secure the back end of the outer rail to the rack, using the screws provided.
2. Press the button where the two outer rails are joined to retract the smaller outer rail.
3. Hang the hooks of the rails onto the rack holes and if desired, use screws to secure the front of the outer rail onto the rack.
4. Repeat steps 1-3 for the remaining outer rail.

**Figure 2-5: Installing Into the Rack*****Installing the Chassis into a Rack***

1. Extend the outer rails as illustrated above.
2. Align the inner rails of the chassis with the outer rails on the rack.
3. Slide the inner rails into the outer rails, keeping the pressure even on both sides. When the chassis has been pushed completely into the rack, it should click into the locked position.
4. Optional screws may be used to secure the to hold the front of the chassis to the rack.

**Note:** The figure above is for illustration purposes only. Always install servers to the bottom of the rack first.

## 2-6 Checking the Serverboard Setup

After you install the system in the rack, you will need to access the inside of the nodes to make sure the serverboard is properly installed.

### ***Accessing the Inside of a Node (Figure 2-6)***

1. Before removing a node, unplug all the cables that connect to that node.
2. To remove a node, first push the two latches (located near the handles) inward.
3. Grasp the handles and pull the node out from the rear of the chassis.
4. To remove the system from the rack completely, depress the locking tabs in the chassis rails (push the right-side tab down and the left-side tab up) to continue to pull the system out past the locked position.

### ***Checking the Components and Setup***

1. You may have one or two processors already installed in each of the two serverboards. Each processor needs its own heatsink. See Chapter 5 for instructions on processor and heatsink installation.
2. Your server system may have come with system memory already installed. Make sure all DIMMs are fully seated in their slots. For details on adding system memory, refer to Chapter 5.
3. You can install four add-on cards to the system. See Chapter 5 for details on installing PCI add-on cards.
4. Make sure all power and data cables are properly connected and not blocking the chassis airflow. See Chapter 5 for details on cable connections.

## 2-7 Preparing to Power On

Next, you should check to make sure the SATA drives and SATA backplane have been properly installed and all connections have been made.

### ***Checking the SATA drives***

1. The SATA disk drives are accessible from the front of the server and can be installed and removed from the front of the chassis without removing the top chassis cover.
2. Depending upon your system's configuration, your system may have one or more drives already installed. If you need to install SATA drives, please refer to Chapter 6.

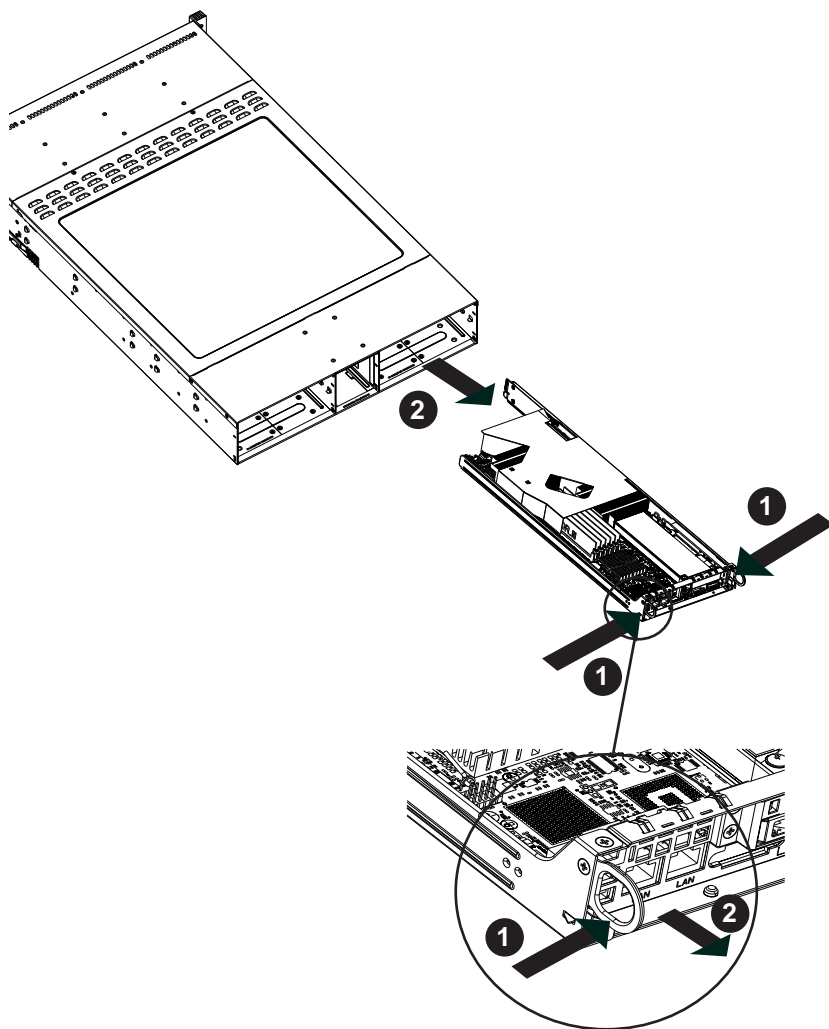
### ***Checking the Airflow***

1. Airflow is provided by four 8-cm PWM fans and (for each serverboard) one air shroud. The system component layout was carefully designed to direct sufficient cooling airflow to the components that generate the most heat.
2. Note that all power and data cables have been routed in such a way that they do not block the airflow generated by the fans.

### ***Providing Power***

1. Plug the power cords from the power supplies unit into a high-quality power strip that offers protection from electrical noise and power surges.
2. It is recommended that you use an uninterruptible power supply (UPS).
3. Finally, depress the power on button on the front of the chassis.

Figure 2-6. Removing a Node from the System



## Notes

---

## Chapter 3

# System Interface

### 3-1 Overview

There are LEDs on the control panels and on the SATA drive carriers to keep you constantly informed of the overall status of the system as well as the activity and health of specific components. There are also two buttons on each control panel. This chapter explains the meanings of all LED indicators and the appropriate response you may need to take. Note that the server has four control panels, one for each serverboard (node) installed in the system. This allows each severboard to be controlled independently of the other.

### 3-2 Control Panel Buttons

There are two push-buttons located on each control panel: a power on/off button and a UID button.



#### Power

This is the main power button, which is used to apply or turn off the main system power only to the node it is connected to. Depressing this button removes the main power but keeps standby power supplied to the serverboard. This button has an LED built into it, which will illuminate when its node is powered on.



#### UID

Depressing the UID (unit identifier) button illuminates an LED on both the front and rear of the chassis for easy system location in large stack configurations. The LED will remain on until the button is pushed a second time. Another UID button on the rear of the chassis serves the same function. This button has an LED built into it, which will illuminate when either the front or rear UID button is pushed.

### 3-3 Control Panel LEDs

In addition to the LEDs built into the power and UID buttons, each of the four control panels located on the front of the SC827H-(R)1400B chassis has two LEDs that provide you with critical information related their own node. This section explains what each LED indicates when illuminated and any corrective action you may need to take.



#### Alert

This LED is illuminated when an alert condition occurs. A solid red light indicates an overheat condition in the system. A flashing red light which flashes in one second intervals indicates a fan failure. A flashing red light which flashes in four second intervals indicates a power failure. When notified of an alert, check the routing of the cables and make sure all fans are present and operating normally. You should also check to make sure that the chassis covers and air shrouds are installed. Finally, verify that the heatsinks are installed properly. This LED will remain flashing or on as long as the temperature is too high or a fan does not function properly.



#### NIC

Indicates network activity on any of the LAN ports when flashing

### 3-4 SATA Drive Carrier LEDs

Each SATA drive carrier has two LEDs.

- **Green:** When illuminated, the green LED on the front of the SATA drive carrier indicates drive activity. A connection to the SATA backplane enables this LED to blink on and off when that particular drive is being accessed.
- **Red:** There is no function associated with the red LED.



## Chapter 4

# Standardized Warning Statements for AC Systems

### 4-1 About Standardized Warning Statements

The following statements are industry standard warnings, provided to warn the user of situations which have the potential for bodily injury. Should you have questions or experience difficulty, contact Supermicro's Technical Support department for assistance. Only certified technicians should attempt to install or configure components.

Read this appendix in its entirety before installing or configuring components in the Supermicro chassis.

These warnings may also be found on our web site at [http://www.supermicro.com/about/policies/safety\\_information.cfm](http://www.supermicro.com/about/policies/safety_information.cfm).

#### Warning Definition



#### Warning!

This warning symbol means danger. You are in a situation that could cause bodily injury. Before you work on any equipment, be aware of the hazards involved with electrical circuitry and be familiar with standard practices for preventing accidents.

#### 警告の定義

この警告サインは危険を意味します。

人身事故につながる可能性がありますので、いずれの機器でも動作させる前に、電気回路に含まれる危険性に注意して、標準的な事故防止策に精通して下さい。

此警告符号代表危險。

您正處於可能受到嚴重傷害的工作環境中。在您使用設備開始工作之前，必須充分意識到觸電的危險，並熟练掌握防止事故發生的標準工作程序。請根據每項警告結尾的聲明號碼找到此設備的安全性警告說明的翻譯文本。

此警告符號代表危險。

您正處於可能身體可能會受損傷的工作環境中。在您使用任何設備之前，請注意觸電的危險，並且要熟悉預防事故發生的標準工作程序。請依照每一注意事項後的號碼找到相關的翻譯說明內容。

## Warnung

### WICHTIGE SICHERHEITSHINWEISE

Dieses Warnsymbol bedeutet Gefahr. Sie befinden sich in einer Situation, die zu Verletzungen führen kann. Machen Sie sich vor der Arbeit mit Geräten mit den Gefahren elektrischer Schaltungen und den üblichen Verfahren zur Vorbeugung vor Unfällen vertraut. Suchen Sie mit der am Ende jeder Warnung angegebenen Anweisungsnummer nach der jeweiligen Übersetzung in den übersetzten Sicherheitshinweisen, die zusammen mit diesem Gerät ausgeliefert wurden.

BEWAHREN SIE DIESE HINWEISE GUT AUF.

### INSTRUCCIONES IMPORTANTES DE SEGURIDAD

Este símbolo de aviso indica peligro. Existe riesgo para su integridad física. Antes de manipular cualquier equipo, considere los riesgos de la corriente eléctrica y familiarícese con los procedimientos estándar de prevención de accidentes. Al final de cada advertencia encontrará el número que le ayudará a encontrar el texto traducido en el apartado de traducciones que acompaña a este dispositivo.

GUARDE ESTAS INSTRUCCIONES.

### IMPORTANTES INFORMATIONS DE SÉCURITÉ

Ce symbole d'avertissement indique un danger. Vous vous trouvez dans une situation pouvant entraîner des blessures ou des dommages corporels. Avant de travailler sur un équipement, soyez conscient des dangers liés aux circuits électriques et familiarisez-vous avec les procédures couramment utilisées pour éviter les accidents. Pour prendre connaissance des traductions des avertissements figurant dans les consignes de sécurité traduites qui accompagnent cet appareil, référez-vous au numéro de l'instruction situé à la fin de chaque avertissement.

CONSERVEZ CES INFORMATIONS.

## תקנון הצהרות אזהרה

הצהרות הבאות הן אזהרות על פי תקני התעשייה, על מנת להזהיר את המשתמש מפני חבלה פיזית אפשרית. במידה ויש שאלות או היתקלות בבעיה כלשהי, יש ליצור קשר עם מחלקת תמיכה טכנית של סופרמיקרו. טכנאים מוסמכים בלבד רשאים להתקין או להגדיר את הרכיבים.

יש לקרוא את הנספח במלואו לפני התקנת או הגדרת הרכיבים במארזי סופרמיקרו.

تحذير! هذا الرمز يعني خطر انك في حالة يمكن أن تتسبب في اصابة جسدية .  
قبل أن تعمل على أي معدات، كن على علم بالمخاطر الناجمة عن الدوائر  
الكهربائية  
وكن على دراية بالممارسات الوقائية لمنع وقوع أي حوادث  
استخدم رقم البيان المنصوص في نهاية كل تحذير للعثور ترجمتها

안전을 위한 주의사항

경고!

이 경고 기호는 위험이 있음을 알려 줍니다. 작업자의 신체에 부상을 야기 할 수 있는 상태에 있게 됩니다. 모든 장비에 대한 작업을 수행하기 전에 전기회로와 관련된 위험요소들을 확인하시고 사전에 사고를 방지할 수 있도록 표준 작업절차를 준수해 주시기 바랍니다.

해당 번역문을 찾기 위해 각 경고의 마지막 부분에 제공된 경고문 번호를 참조하십시오

#### BELANGRIJKE VEILIGHEIDSINSTRUCTIES

Dit waarschuwings symbool betekent gevaar. U verkeert in een situatie die lichamelijk letsel kan veroorzaken. Voordat u aan enige apparatuur gaat werken, dient u zich bewust te zijn van de bij een elektrische installatie betrokken risico's en dient u op de hoogte te zijn van de standaard procedures om ongelukken te voorkomen. Gebruik de nummers aan het eind van elke waarschuwing om deze te herleiden naar de desbetreffende locatie.

#### BEWAAR DEZE INSTRUCTIES

## Installation Instructions



### Warning!

Read the installation instructions before connecting the system to the power source.

設置手順書

システムを電源に接続する前に、設置手順書をお読み下さい。

警告

将此系统连接电源前，请先阅读安装说明。

警告

將系統與電源連接前，請先閱讀安裝說明。

Warnung

Vor dem Anschließen des Systems an die Stromquelle die Installationsanweisungen lesen.

¡Advertencia!

Lea las instrucciones de instalación antes de conectar el sistema a la red de alimentación.

Attention

Avant de brancher le système sur la source d'alimentation, consulter les directives d'installation.

יש לקרוא את הוראות התקנה לפני חיבור המערכת למקור מתח.

اقرأ إرشادات التركيب قبل توصيل النظام إلى مصدر للطاقة

시스템을 전원에 연결하기 전에 설치 안내를 읽어주십시오.

Waarschuwing

Raadpleeg de installatie-instructies voordat u het systeem op de voedingsbron aansluit.

## Circuit Breaker



### Warning!

This product relies on the building's installation for short-circuit (overcurrent) protection. Ensure that the protective device is rated not greater than: 250 V, 20 A.

### サーキット・ブレーカー

この製品は、短絡(過電流)保護装置がある建物での設置を前提としています。  
保護装置の定格が250 V、20 Aを超えないことを確認下さい。

### 警告

此产品的短路(过载电流)保护由建筑物的供电系统提供,确保短路保护设备的额定电流不大于250V,20A。

### 警告

此產品的短路(過載電流)保護由建築物的供電系統提供,確保短路保護設備的額定電流不大於250V,20A。

### Warnung

Dieses Produkt ist darauf angewiesen, dass im Gebäude ein Kurzschluss- bzw. Überstromschutz installiert ist. Stellen Sie sicher, dass der Nennwert der Schutzvorrichtung nicht mehr als: 250 V, 20 A beträgt.

### ¡Advertencia!

Este equipo utiliza el sistema de protección contra cortocircuitos (o sobrecorrientes) del edificio. Asegúrese de que el dispositivo de protección no sea superior a: 250 V, 20 A.

### Attention

Pour ce qui est de la protection contre les courts-circuits (surtension), ce produit dépend de l'installation électrique du local. Vérifiez que le courant nominal du dispositif de protection n'est pas supérieur à :250 V, 20 A.

מוצר זה מסתמך על הגנה המותקנת במבנים למניעת קצר חשמלי. יש לוודא כי  
המכשיר המגן מפני הקצר החשמלי הוא לא יותר מ-250 V, 20 A

هذا المنتج يعتمد على معدات الحماية من الدوائر القصيرة التي تم تثبيتها في  
المبنى

تأكد من أن تقييم الجهاز الوقائي ليس أكثر من: 20A, 250V

경고!

이 제품은 전원의 단락(과전류)방지에 대해서 전적으로 건물의 관련 설비에 의존합니다. 보호장치의 정격이 반드시 250V(볼트), 20A(암페어)를 초과하지 않도록 해야 합니다.

Waarschuwing

Dit product is afhankelijk van de kortsluitbeveiliging (overspanning) van uw elektrische installatie. Controleer of het beveiligde apparaat niet groter gedimensioneerd is dan 220V, 20A.

### Power Disconnection Warning



**Warning!**

The system must be disconnected from all sources of power and the power cord removed from the power supply module(s) before accessing the chassis interior to install or remove system components.

#### 電源切斷の警告

システムコンポーネントの取り付けまたは取り外しのために、シャーシ内部にアクセスするには、

システムの電源はすべてのソースから切斷され、電源コードは電源モジュールから取り外す必要があります。

警告

在你打开机箱并安装或移除内部器件前,必须将系统完全断电,并移除电源线。

警告

在您打開機殼安裝或移除內部元件前,必須將系統完全斷電,並移除電源線。

Warnung

Das System muss von allen Quellen der Energie und vom Netzanschlusskabel getrennt sein, das von den Spg.Versorgungsteilmodulen entfernt wird, bevor es auf den Chassisinnenraum zurückgreift, um Systemsbestandteile anzubringen oder zu entfernen.

¡Advertencia!

El sistema debe ser disconnected de todas las fuentes de energía y del cable eléctrico quitado de los módulos de fuente de alimentación antes de tener acceso el interior del chasis para instalar o para quitar componentes de sistema.

Attention

Le système doit être débranché de toutes les sources de puissance ainsi que de son cordon d'alimentation secteur avant d'accéder à l'intérieur du chasis pour installer ou enlever des composants de système.

## אזהרה מפני ניתוק חשמלי

### אזהרה!

יש לנתק את המערכת מכל מקורות החשמל ויש להסיר את כבל החשמלי מהספק לפני גישה לחלק הפנימי של המארז לצורך התקנת או הסרת רכיבים.

يجب فصل النظام من جميع مصادر الطاقة وإزالة سلك الكهرباء من وحدة امداد الطاقة قبل الوصول إلى المناطق الداخلية للهيكल لتثبيت أو إزالة مكونات الجهاز

경고!

시스템에 부품들을 장착하거나 제거하기 위해서는 새시 내부에 접근하기 전에 반드시 전원 공급장치로부터 연결되어있는 모든 전원과 전기코드를 분리해주어야 합니다.

Waarschuwing

Voordat u toegang neemt tot het binnenwerk van de behuizing voor het installeren of verwijderen van systeem onderdelen, dient u alle spanningsbronnen en alle stroomkabels aangesloten op de voeding(en) van de behuizing te verwijderen

## Equipment Installation



### Warning!

Only trained and qualified personnel should be allowed to install, replace, or service this equipment.

### 機器の設置

トレーニングを受け認定された人だけがこの装置の設置、交換、またはサービスを許可されています。

### 警告

只有经过培训且具有资格的人员才能进行此设备的安装、更换和维修。

### 警告

只有經過受訓且具資格人員才可安裝、更換與維修此設備。

### Warnung

Das Installieren, Ersetzen oder Bedienen dieser Ausrüstung sollte nur geschultem, qualifiziertem Personal gestattet werden.

### ¡Advertencia!

Solamente el personal calificado debe instalar, reemplazar o utilizar este equipo.

### Attention

Il est vivement recommandé de confier l'installation, le remplacement et la maintenance de ces équipements à des personnels qualifiés et expérimentés.

### אזהרה!

צוות מוסמך בלבד רשאי להתקין, להחליף את הציוד או לתת שירות עבור הציוד.

يجب أن يسمح فقط للموظفين المؤهلين والمدربين لتثبيت واستبدال أو خدمة هذا الجهاز

### 경고!

훈련을 받고 공인된 기술자만이 이 장비의 설치, 교체 또는 서비스를 수행할 수 있습니다.



## Waarschuwing

Deze apparatuur mag alleen worden geïnstalleerd, vervangen of hersteld door geschoold en gekwalificeerd personeel.

## Restricted Area



### Warning!

This unit is intended for installation in restricted access areas. A restricted access area can be accessed only through the use of a special tool, lock and key, or other means of security. (This warning does not apply to workstations).

### アクセス制限区域

このユニットは、アクセス制限区域に設置されることを想定しています。

アクセス制限区域は、特別なツール、鍵と錠前、その他のセキュリティの手段を用いてのみ出入りが可能です。

### 警告

此部件应安装在限制进出的场所，限制进出的场所指只能通过使用特殊工具、锁和钥匙或其它安全手段进出的场所。

### 警告

此裝置僅限安裝於進出管制區域，進出管制區域係指僅能以特殊工具、鎖頭及鑰匙或其他安全方式才能進入的區域。

### Warnung

Diese Einheit ist zur Installation in Bereichen mit beschränktem Zutritt vorgesehen. Der Zutritt zu derartigen Bereichen ist nur mit einem Spezialwerkzeug, Schloss und Schlüssel oder einer sonstigen Sicherheitsvorkehrung möglich.

### ¡Advertencia!

Esta unidad ha sido diseñada para instalación en áreas de acceso restringido. Sólo puede obtenerse acceso a una de estas áreas mediante la utilización de una herramienta especial, cerradura con llave u otro medio de seguridad.

### Attention

Cet appareil doit être installée dans des zones d'accès réservés. L'accès à une zone d'accès réservé n'est possible qu'en utilisant un outil spécial, un mécanisme de verrouillage et une clé, ou tout autre moyen de sécurité.

## אזור עם גישה מוגבלת

### !אזהרה!

יש להתקין את היחידה באזורים שיש בהם הגבלת גישה. הגישה ניתנת בעזרת כלי אבטחה בלבד (מפתח, מנעול וכד').

تم تخصيص هذه الوحدة لتركيبها في مناطق محظورة .  
يمكن الوصول إلى منطقة محظورة فقط من خلال استخدام أداة خاصة،  
قفل ومفتاح أو أي وسيلة أخرى للأمان

경고!

이 장치는 접근이 제한된 구역에 설치하도록 되어 있습니다. 특수도구, 잠금 장치 및 키, 또는 기타 보안 수단을 통해서만 접근 제한 구역에 들어갈 수 있습니다.

### Waarschuwing

Dit apparaat is bedoeld voor installatie in gebieden met een beperkte toegang. Toegang tot dergelijke gebieden kunnen alleen verkregen worden door gebruik te maken van speciaal gereedschap, slot en sleutel of andere veiligheidsmaatregelen.

## Battery Handling



### Warning!

There is the danger of explosion if the battery is replaced incorrectly. Replace the battery only with the same or equivalent type recommended by the manufacturer. Dispose of used batteries according to the manufacturer's instructions

### 電池の取り扱い

電池交換が正しく行われなかった場合、破裂の危険性があります。交換する電池はメーカーが推奨する型、または同等のものを使用下さい。使用済電池は製造元の指示に従って処分して下さい。

### 警告

电池更换不当会有爆炸危险。请只使用同类电池或制造商推荐的功能相当的电池更换原有电池。请按制造商的说明处理废旧电池。

### 警告

電池更換不當會有爆炸危險。請使用製造商建議之相同或功能相當的電池更換原有電池。請按照製造商的說明指示處理廢棄舊電池。

Warnung

Bei Einsetzen einer falschen Batterie besteht Explosionsgefahr. Ersetzen Sie die Batterie nur durch den gleichen oder vom Hersteller empfohlenen Batterietyp. Entsorgen Sie die benutzten Batterien nach den Anweisungen des Herstellers.

Attention

Danger d'explosion si la pile n'est pas remplacée correctement. Ne la remplacer que par une pile de type semblable ou équivalent, recommandée par le fabricant. Jeter les piles usagées conformément aux instructions du fabricant.

¡Advertencia!

Existe peligro de explosión si la batería se reemplaza de manera incorrecta. Reemplazar la batería exclusivamente con el mismo tipo o el equivalente recomendado por el fabricante. Desechar las baterías gastadas según las instrucciones del fabricante.

**אזהרה!**

קיימת סכנת פיצוץ של הסוללה במידה והוחלפה בדרך לא תקינה. יש להחליף את הסוללה בסוג התואם מחברת יצרן מומלצת.

סילוק הסוללות המשומשות יש לבצע לפי הוראות היצרן.

هناك خطر من انفجار في حالة استبدال البطارية بطريقة غير صحيحة فعليك استبدال البطارية فقط بنفس النوع أو ما يعادلها كما أوصت به الشركة المصنعة تخلص من البطاريات المستعملة وفقا لتعليمات الشركة الصانعة

경고!

배터리가 올바르게 교체되지 않으면 폭발의 위험이 있습니다. 기존 배터리와 동일하거나 제조사에서 권장하는 동등한 종류의 배터리로만 교체해야 합니다. 제조사의 안내에 따라 사용된 배터리를 처리하여 주십시오.

Waarschuwing

Er is ontploffingsgevaar indien de batterij verkeerd vervangen wordt. Vervang de batterij slechts met hetzelfde of een equivalent type die door de fabrikant aanbevolen wordt. Gebruikte batterijen dienen overeenkomstig fabrieksvoorschriften afgevoerd te worden.

## Redundant Power Supplies



### Warning!

This unit might have more than one power supply connection. All connections must be removed to de-energize the unit.

### 冗長電源装置

このユニットは複数の電源装置が接続されている場合があります。  
ユニットの電源を切るためには、すべての接続を取り外さなければなりません。

### 警告

此部件连接的电源可能不止一个，必须将所有电源断开才能停止给该部件供电。

### 警告

此装置连接的电源可能不只一个，必须切断所有电源才能停止对该装置的供电。

### Warnung

Dieses Gerät kann mehr als eine Stromzufuhr haben. Um sicherzustellen, dass der Einheit kein Strom zugeführt wird, müssen alle Verbindungen entfernt werden.

### ¡Advertencia!

Puede que esta unidad tenga más de una conexión para fuentes de alimentación. Para cortar por completo el suministro de energía, deben desconectarse todas las conexiones.

### Attention

Cette unité peut avoir plus d'une connexion d'alimentation. Pour supprimer toute tension et tout courant électrique de l'unité, toutes les connexions d'alimentation doivent être débranchées.

### אם קיים יותר מספק אחד

### אזהרה!

ליחידה יש יותר מחיבור אחד של ספק. יש להסיר את כל החיבורים על מנת לרוקן את היחידה.

قد يكون لهذا الجهاز عدة اتصالات بوحدات امداد الطاقة.  
يجب إزالة كافة الاتصالات لعزل الوحدة عن الكهرباء

경고!

이 장치에는 한 개 이상의 전원 공급 단자가 연결되어 있을 수 있습니다. 이 장치에 전원을 차단하기 위해서는 모든 연결 단자를 제거해야만 합니다.

Waarschuwing

Deze eenheid kan meer dan één stroomtoevoeraansluiting bevatten. Alle aansluitingen dienen verwijderd te worden om het apparaat stroomloos te maken.

### Backplane Voltage



**Warning!**

Hazardous voltage or energy is present on the backplane when the system is operating. Use caution when servicing.

バックプレーンの電圧

システムの稼働中は危険な電圧または電力が、バックプレーン上にかかっています。  
修理するには注意ください。

警告

当系统正在进行时，背板上有很危险的电压或能量，进行维修时务必小心。

警告

當系統正在進行時，背板上危險的電壓或能量，進行維修時務必小心。

Warnung

Wenn das System in Betrieb ist, treten auf der Rückwandplatine gefährliche Spannungen oder Energien auf. Vorsicht bei der Wartung.

¡Advertencia!

Cuando el sistema está en funcionamiento, el voltaje del plano trasero es peligroso. Tenga cuidado cuando lo revise.

**Attention**

Lorsque le système est en fonctionnement, des tensions électriques circulent sur le fond de panier. Prendre des précautions lors de la maintenance.

**מתח בפנל האחורי**

אזהרה!  
קיימת סכנת מתח בפנל האחורי בזמן תפעול המערכת. יש להיזהר במהלך העבודה.

هناك خطر من التيار الكهربائي أو الطاقة الموجودة على اللوحة  
عندما يكون النظام يعمل كن حذرا عند خدمة هذا الجهاز

**경고!**

시스템이 동작 중일 때 후면판 (Backplane)에는 위험한 전압이나 에너지가 발생합니다. 서비스 작업 시 주의하십시오.

**Waarschuwing**

Een gevaarlijke spanning of energie is aanwezig op de backplane wanneer het systeem in gebruik is. Voorzichtigheid is geboden tijdens het onderhoud.

**Comply with Local and National Electrical Codes****Warning!**

Installation of the equipment must comply with local and national electrical codes.

地方および国の電気規格に準拠

機器の取り付けはその地方および国の電気規格に準拠する必要があります。

**警告**

设备安装必须符合本地与本国电气法规。

**警告**

設備安裝必須符合本地與本國電氣法規。

**Warnung**

Die Installation der Geräte muss den Sicherheitsstandards entsprechen.

¡Advertencia!

La instalacion del equipo debe cumplir con las normas de electricidad locales y nacionales. Attention

L'équipement doit être installé conformément aux normes électriques nationales et locales.

## תיאום חוקי החשמל הארצי

אזהרה!

התקנת הציוד חייבת להיות תואמת לחוקי החשמל המקומיים והארציים.

تركيب المعدات الكهربائية يجب أن يمتثل للقوانين المحلية والوطنية المتعلقة بالكهرباء

경고!

현 지역 및 국가의 전기 규정에 따라 장비를 설치해야 합니다.

Waarschuwing

Bij installatie van de apparatuur moet worden voldaan aan de lokale en nationale elektriciteitsvoorschriften.

## Product Disposal



**Warning!**

Ultimate disposal of this product should be handled according to all national laws and regulations.

製品の廃棄

この製品を廃棄処分する場合、国の関係する全ての法律・条例に従い処理する必要があります。

警告

本产品的废弃处理应根据所有国家的法律和规章进行。

警告

本產品的廢棄處理應根據所有國家的法律和規章進行。

### Warnung

Die Entsorgung dieses Produkts sollte gemäß allen Bestimmungen und Gesetzen des Landes erfolgen.

### ¡Advertencia!

Al deshacerse por completo de este producto debe seguir todas las leyes y reglamentos nacionales.

### Attention

La mise au rebut ou le recyclage de ce produit sont généralement soumis à des lois et/ou directives de respect de l'environnement. Renseignez-vous auprès de l'organisme compétent.

### סילוק המוצר

אזהרה!

סילוק סופי של מוצר זה חייב להיות בהתאם להנחיות וחוקי המדינה.

عند التخلص النهائي من هذا المنتج ينبغي التعامل معه وفقا لجميع القوانين واللوائح الوطنية

경고!

이 제품은 해당 국가의 관련 법규 및 규정에 따라 폐기되어야 합니다.

### Waarschuwing

De uiteindelijke verwijdering van dit product dient te geschieden in overeenstemming met alle nationale wetten en reglementen.

## Hot Swap Fan Warning



### Warning!

The fans might still be turning when you remove the fan assembly from the chassis. Keep fingers, screwdrivers, and other objects away from the openings in the fan assembly's housing.

### ファン・ホットスワップの警告

シャーシから冷却ファン装置を取り外した際、ファンがまだ回転している可能性があります。ファンの開口部に、指、ドライバー、およびその他のものを近づけないで下さい。

警告



当您从机架移除风扇装置，风扇可能仍在转动。小心不要将手指、螺丝起子和其他物品太靠近风扇

警告

當您從機架移除風扇裝置，風扇可能仍在轉動。小心不要將手指、螺絲起子和其他物品太靠近風扇。

Warnung

Die Lüfter drehen sich u. U. noch, wenn die Lüfterbaugruppe aus dem Chassis genommen wird. Halten Sie Finger, Schraubendreher und andere Gegenstände von den Öffnungen des Lüftergehäuses entfernt.

¡Advertencia!

Los ventiladores podran dar vuelta cuando usted quite el montaje del ventilador del chasis. Mantenga los dedos, los destornilladores y todos los objetos lejos de las aberturas del ventilador

Attention

Il est possible que les ventilateurs soient toujours en rotation lorsque vous retirerez le bloc ventilateur du châssis. Prenez garde à ce que doigts, tournevis et autres objets soient éloignés du logement du bloc ventilateur.

אזהרה!

כאשר מסירים את חלקי המאוורר מהמארז, יתכן והמאווררים עדיין עובדים. יש להרחיק למרחק בטוח את האצבעות וכלי עבודה שונים מהפתחים בתוך המאוורר

من الممكن أن المراوح لا تزال تدور عند إزالة كتلة المروحة من الهيكل يجب إبقاء الأصابع ومفكات البراغي وغيرها من الأشياء بعيدا عن الفتحات في كتلة المروحة.

경고!

새시로부터 팬 조립품을 제거할 때 팬은 여전히 회전하고 있을 수 있습니다. 팬 조립품 외관의 열려있는 부분들로부터 손가락 및 스크류드라이버, 다른 물체들이 가까이 하지 않도록 배치해 주십시오.

## Waarschuwing

Het is mogelijk dat de ventilator nog draait tijdens het verwijderen van het ventilatorsamenstel uit het chassis. Houd uw vingers, schroevendraaiers en eventuele andere voorwerpen uit de buurt van de openingen in de ventilatorbehuizing.

## Power Cable and AC Adapter



### Warning!

When installing the product, use the provided or designated connection cables, power cables and AC adaptors. Using any other cables and adaptors could cause a malfunction or a fire. Electrical Appliance and Material Safety Law prohibits the use of UL or CSA -certified cables (that have UL/CSA shown on the code) for any other electrical devices than products designated by Supermicro only.

### 電源コードとACアダプター

製品を設置する場合、提供または指定された接続ケーブル、電源コードとACアダプターを使用下さい。他のケーブルやアダプタを使用すると故障や火災の原因になることがあります。電気用品安全法は、ULまたはCSA認定のケーブル(UL/CSEマークがコードに表記)を Supermicroが指定する製品以外に使用することを禁止しています。

### 警告

安裝此產品時，請使用本身提供的或指定的連接線，電源線和電源適配器。使用其它線材或適配器可能會引起故障或火災。除了 Supermicro 所指定的產品，電氣用品和材料安全法律規定禁止使用未經 UL 或 CSA 認證的線材。(線材上會顯示 UL/CSA 符號)。

### 警告

安裝此產品時，請使用本身提供的或指定的連接線，電源線和電源適配器。使用其它線材或適配器可能會引起故障或火災。除了 Supermicro 所指定的產品，電氣用品和材料安全法律規定禁止使用未經 UL 或 CSA 認證的線材。(線材上會顯示 UL/CSA 符號)。

### Warnung

Bei der Installation des Produkts, die zur Verfügung gestellten oder benannt Anschlusskabel, Stromkabel und Netzteile. Verwendung anderer Kabel und Adapter kann zu einer Fehlfunktion oder ein Brand entstehen. Elektrische Geräte und Material Safety Law verbietet die Verwendung von UL-oder CSA-zertifizierte Kabel, UL oder CSA auf der Code für alle anderen elektrischen Geräte als Produkte von Supermicro nur bezeichnet gezeigt haben.

**¡Advertencia!**

Al instalar el producto, utilice los cables de conexión previstos o designados, los cables y adaptadores de CA. La utilización de otros cables y adaptadores podría ocasionar un mal funcionamiento o un incendio. Aparatos Eléctricos y la Ley de Seguridad del Material prohíbe el uso de UL o CSA cables certificados que tienen UL o CSA se muestra en el código de otros dispositivos eléctricos que los productos designados por Supermicro solamente.

**Attention**

Lors de l'installation du produit, utilisez les bables de connection fournis ou désigné. L'utilisation d'autres cables et adaptateurs peut provoquer un dysfonctionnement ou un incendie. Appareils électroménagers et de loi sur la sécurité Matériel interdit l'utilisation de UL ou CSA câbles certifiés qui ont UL ou CSA indiqué sur le code pour tous les autres appareils électriques que les produits désignés par Supermicro seulement.

**חשמליים ומתאמי AC****אזהרה!**

כאשר מתקינים את המוצר, יש להשתמש בכבלים, ספקים ומתאמים AC אשר נועדו וסופקו לשם כך. שימוש בכל כבל או מתאם אחר יכול לגרום לתקלה או קצר חשמלי. על פי חוקי שימוש במכשירי חשמל וחוקי בטיחות, קיים איסור להשתמש בכבלים המוסמכים ב- UL או ב- CSA (כשאר מופיע עליהם קוד של UL/CSA) עבור כל מוצר חשמלי אחר שלא צויין על ידי סופרמיקרו בלבד.

عند تركيب الجهاز يجب استخدام كابلات التوصيل، والكابلات الكهربائية  
ومحولات التيار المتردد

التي . أن استخدام أي كابلات ومحولات أخرى يتسبب في حدوث عطل أو حريق.  
تم توفيرها لك مع المنتج

الأجهزة الكهربائية ومواد قانون السلامة يحظر استخدام الكابلات CSA أو UL  
معتمدة من قبل

لأي أجهزة كهربائية أخرى غير المنتجات المعينة من قبل Supermicro  
(التي تحمل علامة UL/CSA)

**경고!**

제품을 설치할 때에는 제공되거나 지정된 연결케이블과 전원케이블, AC 어댑터를 사용해야 합니다. 그 밖의 다른 케이블들이나 어댑터들은 고장 또는 화재의 원인이 될 수 있습니다. 전기용품안전법 (Electrical Appliance and Material Safety Law)은 슈퍼마이크로에서 지정한 제품들 외에는 그 밖의 다른 전기 장치들을 위한 UL 또는 CSA에서 인증한 케이블(전선 위에 UL/CSA가 표시)들의 사용을 금지합니다.

### Waarschuwing

Bij het installeren van het product, gebruik de meegeleverde of aangewezen kabels, stroomkabels en adapters. Het gebruik van andere kabels en adapters kan leiden tot een storing of een brand. Elektrisch apparaat en veiligheidsinformatiebladen wet verbiedt het gebruik van UL of CSA gecertificeerde kabels die UL of CSA die op de code voor andere elektrische apparaten dan de producten die door Supermicro alleen.

## Chapter 5

### Advanced Serverboard Setup

This chapter covers the steps required to install the X8DTT-H(F)/HIBX(F)/HIBQ(F) serverboard into the SC827H-(R)1400B chassis, connect the data and power cables and install add-on cards. All serverboard jumpers and connections are also described. A layout and quick reference chart are included in this chapter for your reference. Remember to completely close the chassis when you have finished working with the serverboard to better cool and protect the system.

#### 5-1 Handling the Serverboard

Electrostatic Discharge (ESD) can damage electronic components. To prevent damage to any printed circuit boards (PCBs), it is important to handle them very carefully (see previous chapter). To prevent the serverboard from bending, keep one hand under the center of the board to support it when handling. The following measures are generally sufficient to protect your equipment from electric static discharge.

##### Precautions

- Use a grounded wrist strap designed to prevent Electrostatic Discharge (ESD).
- Touch a grounded metal object before removing any board from its antistatic bag.
- Handle a board by its edges only; do not touch its components, peripheral chips, memory modules or gold contacts.
- When handling chips or modules, avoid touching their pins.
- Put the serverboard, add-on cards and peripherals back into their antistatic bags when not in use.
- For grounding purposes, make sure your computer chassis provides excellent conductivity between the power supply, the case, the mounting fasteners and the serverboard.

##### Unpacking

The serverboard is shipped in antistatic packaging to avoid electrostatic discharge. When unpacking the board, make sure the person handling it is static protected.

## 5-2 Serverboard Installation

This section explains the first step of physically mounting the SuperServer 6026TT-HT(R)/F/HIBX(R)/F/HIBQ(R)/F into the SC827H-(R)1400B chassis. Following the steps in the order given will eliminate the most common problems encountered in such an installation. To remove the serverboard, follow the procedure in reverse order.

### ***Accessing the Inside of the System***

1. Remove all four screws securing the top cover of the chassis: two at the top rear of the cover and one on each side lip, also near the back.
2. Place both thumbs in the indentations and push the cover back until it slides off.
3. Lift the top cover from the chassis to gain full access to the inside of the server. (If already installed in a rack, grasp the two handles on either side and pull the unit straight out until the rails lock into place. See Figure 2-5.)

### ***Check Compatibility of Serverboard Ports and I/O Shield***

Make sure that the I/O ports on the serverboards align properly with their respective holes in the I/O shield at the back of the chassis when installing.

### ***Mounting the Serverboard onto the Serverboard Tray***

1. Carefully mount the serverboards by aligning the board holes with the raised metal standoffs that are visible in the chassis.
2. Insert screws into all the mounting holes on your serverboards that line up with the standoffs and tighten until snug (if you screw them in too tight, you might strip the threads).
3. Metal screws provide an electrical contact to the serverboard ground to provide a continuous ground for the system.

**Warning:** To avoid damaging the motherboard and its components, do not apply any force greater than 8 lbs. per square inch when installing a screw into a mounting hole.

## 5-3 Connecting Cables

Now that the serverboards are installed, the next step is to connect the cables to the boards. These include the data cables for the peripherals and control panel and the power cables.

## Connecting Data Cables

The cables used to transfer data from the peripheral devices have been carefully routed to prevent them from blocking the flow of cooling air that moves through the system from front to back. If you need to disconnect any of these cables, you should take care to keep them routed as they were originally after reconnecting them (make sure the red wires connect to the pin 1 locations). The following data cables (with their locations noted) should be connected. (See the serverboard layout for connector locations.) Note that each connection listed should be made for both serverboards in the chassis.

- Control Panel cable (JF1)

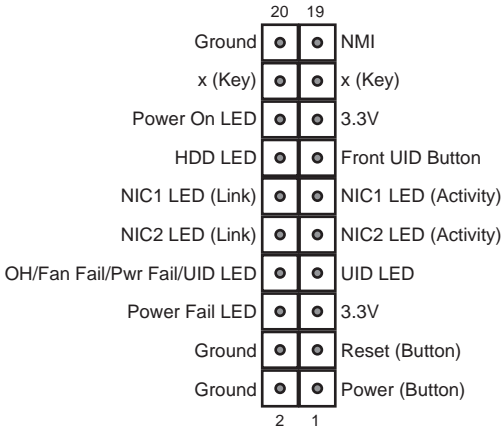
## Connecting Power Cables

The X8DTT-H(F)/HIBX(F)/HIBQ(F) serverboard has two 20-pin ATX power supply connectors (JWR1) for connection to the ATX power supply. Only one of these from each board should be connected to the power supply. The "Primary ATX Power Header" is used to supply power to the primary serverboard and the "Secondary ATX Power Header" is used to supply power to the secondary serverboard. Connect the power supply to only one of these on both boards (primary = left, secondary = right when viewed from front of server). See Section 5-9 for power connector pin definitions.

## Connecting the Control Panel

JF1 contains header pins for various front control panel connectors. See Figure 5-1 for the pin locations of the various front control panel buttons and LED indicators. All JF1 wires have been bundled into a single ribbon cable to simplify this connection. Make sure the red wire plugs into pin 1 as marked on the board. The other end connects to the Control Panel PCB board, located just behind the system status LEDs on the chassis.

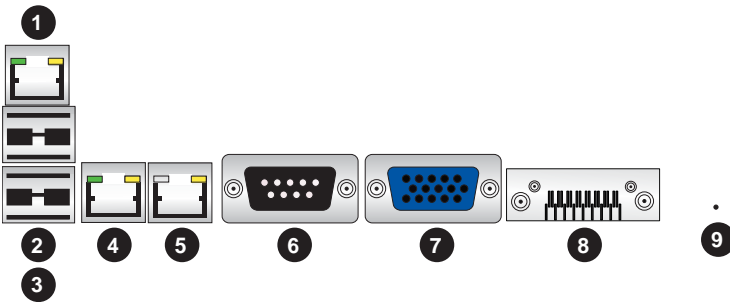
**Figure 5-1. Control Panel Header Pins**



## 5-4 I/O Ports

The I/O ports are color coded in conformance with the PC 99 specification. See Figure 5-2 below for the colors and locations of the various I/O ports.

**Figure 5-2. I/O Ports**



1. Dedicated IPMI LAN	6. COM1 Port (Black)
2. USB Port 1	7. VGA Port
3. USB Port 0	8. InfiniBand Port
4. LAN1	9. UID Switch
5. LAN2	

**Note:** The InfiniBand ports are included on the H8DTT-HIBQ and H8DTT-HIBQF serverboards only.



## 5-5 Processor and Heatsink Installation

**Warning:** When handling the processor package, avoid placing direct pressure on the label area of the fan.

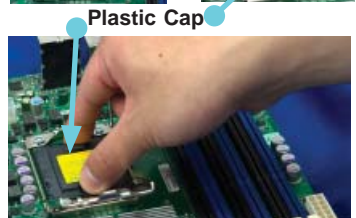
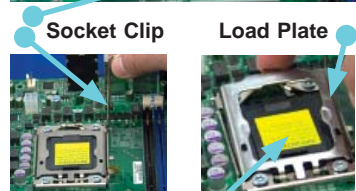
**Notes:**

- Always connect the power cord last and always remove it before adding, removing or changing any hardware components. Make sure that you install the processor into the CPU socket before you install the CPU heatsink.
- If you buy a CPU separately, make sure that you use an Intel-certified multi-directional heatsink only.
- Make sure to install the serverboard into the chassis before you install the CPU heatsinks.
- When receiving a serverboard without a processor pre-installed, make sure that the plastic CPU socket cap is in place and none of the socket pins are bent; otherwise, contact your retailer immediately.
- Refer to the Supermicro web site for updates on CPU support.

### Installing LGA1366 Processors

1. Starting with CPU1, press the socket clip to release the load plate, which covers the CPU socket, from its locked position.
2. Gently lift the socket clip to open the load plate.
3. Hold the plastic cap at its north and south center edges to remove it from the CPU socket.

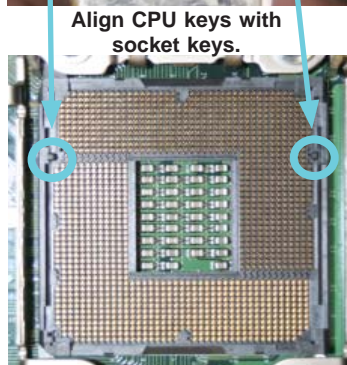
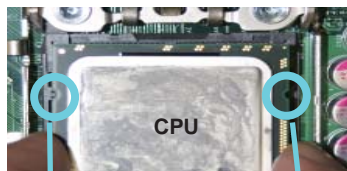
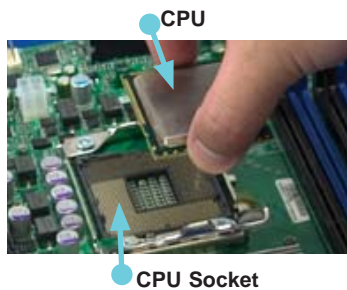
**Note:** The photos on this page and succeeding pages are for illustration purposes only. They do not necessarily reflect the exact product(s) described in this manual.



Holding the north & south edges

4. After removing the plastic cap, use your thumb and the index finger to hold the CPU at the north and south center edges.
5. Align the CPU key (the semi-circle cutout) with the socket key (the notch below the gold color dot on the side of the socket).
6. Once the CPU and the socket are aligned, carefully lower the CPU straight down into the socket. Do not rub the CPU against the surface of the socket or its pins to avoid damaging the CPU or the socket.
7. With the CPU in the socket, inspect the four corners of the CPU to make sure that it sits level and is properly installed.
8. Once the CPU is securely seated in the socket, lower the CPU load plate to the socket.
9. Use your thumb to gently push the socket clip down to the clip lock.
10. Repeat for the CPU2 socket for a dual-processor configuration.

**Important!** Please save the plastic cap. The motherboard must be shipped with the plastic cap properly installed to protect the CPU socket pins. Shipment without the plastic cap properly installed may cause damage to the socket pins.

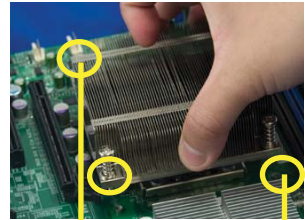
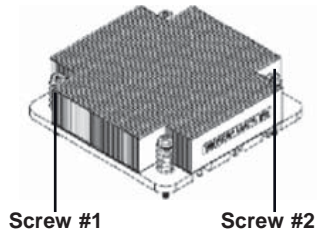


## Installing a CPU Heatsink

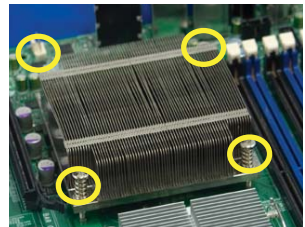
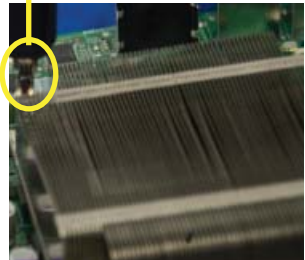
1. Remove power from the system and unplug the AC power cord from the power supply.
2. Do not apply any thermal grease to the heatsink or the CPU die; the required amount has already been applied.
3. Place the heatsink on top of the CPU so that the four mounting holes are aligned with those on the (preinstalled) heatsink retention mechanism.

**Note:** Make sure the heatsink is placed so that the fins of the heatsink are in the direction of the airflow in your system.

4. Screw in two diagonal screws (i.e. the #1 and the #2 screws) until just snug. Do not fully tighten the screws or you may damage the CPU.)
5. Add the two remaining screws then finish the installation by fully tightening all four screws.



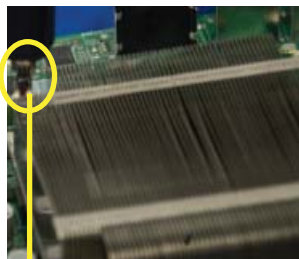
Screw #1 Screw #2  
Install Screw #1



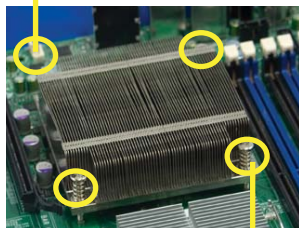
## Removing the Heatsink

**Warning!** We do not recommend that the CPU or the heatsink be removed. However, if you do need to uninstall the heatsink, please follow the instructions below to prevent damage to the CPU or the CPU socket.

1. Remove power from the system and unplug the AC power cord from the power supply.
2. Disconnect the heatsink fan wires from the CPU fan header.
3. Using a screwdriver, loosen and remove the heatsink screws from the motherboard in the sequence as show in the picture on the right.
4. Hold the heatsink as shown in the picture on the right and gently wriggle the heatsink to loosen it from the CPU. (Do not use excessive force when wriggling the heatsink.)
5. Once the heatsink is loose, remove it from the CPU socket.
6. To reinstall the CPU and the heatsink, clean the surface of the CPU and the heatsink to get rid of the old thermal grease. Reapply the proper amount of thermal grease on the CPU surface before reinstalling the heatsink.



Remove Screw #1



Remove Screw #2



## 5-6 Installing Memory

**CAUTION!** Exercise extreme care when installing or removing DIMM modules to prevent any possible damage.

### Memory Support

Each X8DTT-H(F)/HIBX(F)/HIBQ(F) serverboard has twelve (12) 240-pin DIMM slots that can support up to 192 GB of registered ECC DDR3-1333/1066/800 MHz speed SDRAM or up to 48 GB of unbuffered ECC/non-ECC DDR3-1333/1066/800 MHz speed SDRAM.

**Note:** Check the Supermicro web site for recommended DIMMs.

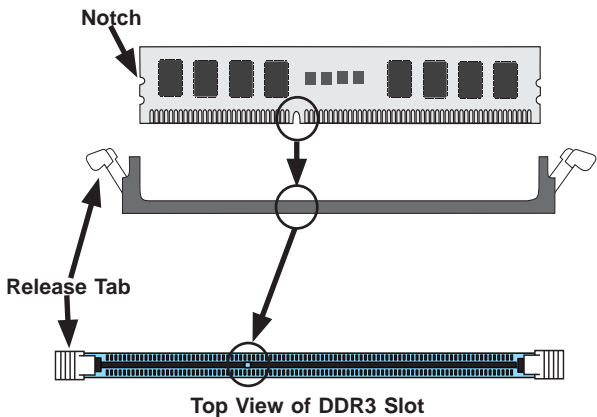
### Installing Memory Modules

1. Insert each memory module vertically into a slot following the charts below. Pay attention to the notch along the bottom of the module to prevent inserting it incorrectly.
2. Gently press down on the DIMM module until it snaps into place in the slot (see Figure 5-3).
3. Repeat for all DIMMs. See tables below and on following pages.

**Figure 5-3. Installing DIMM into Slot**

**To Install:** Insert module vertically and press down until it snaps into place. Pay attention to the alignment notch at the bottom.

**To Remove:** Use your thumbs to gently push the release tabs near both ends of the module. This should release it from the slot.



Populating Memory for Optimal Performance (Single CPU Configuration)						
O	Branch 0		Branch 1		Branch 2	
3 DIMMs	P1 DIMM1A		P1 DIMM2A		P1 DIMM3A	
6 DIMMs	P1 DIMM1A	P1 DIMM1B	P1 DIMM2A	P1 DIMM2B	P1 DIMM3A	P1 DIMM3B

Populating Memory for Optimal Performance (Dual CPU Configuration)												
	CPU1						CPU2					
	Branch 0		Branch 1		Branch 3		Branch 0		Branch 1		Branch 3	
6 DIMMs	1A		2A		3A		1A		2A		3A	
12 DIMMs	1A	1B	2A	2B	3A	3B	1A	1B	2A	2B	3A	3B

DIMM Population Table				
DIMM Slots per Channel	DIMMs Populated per Channel	DIMM Type (Reg.= Registered)	Speeds (in MHz)	Ranks per DIMM (any combination; SR=Single Rank, DR=Dual Rank, QR=Quad Rank)
2	1	Reg. DDR3 ECC	800,1066,1333	SR, DR
2	1	Reg. DDR3 ECC	800,1066,	QR
2	2	Reg. DDR3 ECC	800,1066,1333	SR, DR
2	2	Reg. DDR3 ECC	800,1066	SR, DR, QR

RDIMM Population with 5500 Processors Installed				
DIMM Slots per Channel	DIMMs Populated per Channel	DIMM Type (Reg.= Registered)	Speeds (in MHz)	Ranks per DIMM (any combination; SR=Single Rank, DR=Dual Rank, QR=Quad Rank)
2	1	Reg. DDR3 ECC	800,1066,1333	SR or DR
2	1	Reg. DDR3 ECC	800,1066 (Note 1)	QR
2	2	Reg. DDR3 ECC	800,1066 (Note 1)	Mixing SR, DR
2	2	Reg. DDR3 ECC	800 (Note 2)	Mixing SR, DR, QR
<b>Note 1:</b> 1333 RDIMMs will run at 1066 MHz (BIOS automatic downgrading). <b>Note 2:</b> 1333/1066 RDIMMs will run at 800 MHz (BIOS automatic downgrading).				

UDIMM Population with 5500 Processors Installed				
DIMM Slots per Channel	DIMMs Populated per Channel	DIMM Type (Unb.= Unbuffered)	Speeds (in MHz)	Ranks per DIMM (any combination; SR=Single Rank, DR=Dual Rank, QR=Quad Rank)
2	1	Unb. DDR3 ECC/Non-ECC	800,1066,1333	SR or DR
2	2	Unb. DDR3 ECC/Non-ECC	800,1066 (Note)	Mixing SR, DR
<b>Note:</b> 1333 UDIMMs will run at 800 MHz (BIOS automatic downgrading)				

<b>1.5V RDIMM Population with 5600 Processors Installed</b>				
DIMM Slots per Channel	DIMMs Populated per Channel	DIMM Type (Reg.= Registered)	Speeds (in MHz)	Ranks per DIMM (any combination; SR=Single Rank, DR=Dual Rank, QR=Quad Rank)
2	1	Reg. DDR3 ECC	800,1066,1333	SR or DR
2	1	Reg. DDR3 ECC	800 , 1066 (Note 1)	QR
2	2	Reg. DDR3 ECC	800,1066, 1333	Mixing SR, DR
2	2	Reg. DDR3 ECC	800 (Note 2)	Mixing SR, DR, QR
<b>Note 1:</b> 1333 RDIMMs MHz will run at 1066 MHz (BIOS automatic downgrading) <b>Note 2:</b> 1333/1066 RDIMMs MHz will run at 800 MHz (BIOS automatic downgrading) <b>Note 3:</b> Mixing of 1.35V and 1.5V DIMMs is not recommended.				

<b>1.5V UDIMM Population with 5600 Processors Installed</b>				
DIMM Slots per Channel	DIMMs Populated per Channel	DIMM Type (Unb.= Unbuffered)	Speeds (in MHz)	Ranks per DIMM (any combination; SR=Single Rank, DR=Dual Rank, QR=Quad Rank)
2	1	Unb. DDR3 ECC/Non-ECC	800,1066,1333	SR or DR
2	2	Unb. DDR3 ECC/Non-ECC	800,1066, 1333	Mixing SR, DR
<b>Note 1:</b> 1333 MHz for two DIMMs per channel is supported when Unbuf./ECC DIMMs are used. <b>Note 2:</b> Mixing of 1.35V and 1.5V DIMMs is not recommended.				

<b>1.35V RDIMM Population with 5600 Processors Installed</b>				
DIMM Slots per Channel	DIMMs Populated per Channel	DIMM Type (Reg.= Registered)	Speeds (in MHz)	Ranks per DIMM (any combination; SR=Single Rank, DR=Dual Rank, QR=Quad Rank)
2	1	Reg. DDR3 ECC	800,1066,1333	SR or DR
2	1	Reg. DDR3 ECC	800 (Note 1)	QR
2	2	Reg. DDR3 ECC	800,1066 (Note 2)	Mixing SR, DR
2	2	Reg. DDR3 ECC	800 (Note 3)	Mixing SR, DR, QR
<b>Note 1:</b> 1333/1066 QR RDIMMs MHz will run at 800 MHz (BIOS automatic downgrading) <b>Note 2:</b> 1333 SR/DR RDIMMs MHz will run at 800 MHz (BIOS automatic downgrading) <b>Note 3:</b> 1333 SR/DR/QR RDIMMs MHz will run at 800 MHz (BIOS automatic downgrading) <b>Note 4:</b> Mixing of 1.35V and 1.5V DIMMs is not recommended.				

<b>1.35V UDIMM Population with 5600 Processors Installed</b>				
DIMM Slots per Channel	DIMMs Populated per Channel	DIMM Type (Unb.= Unbuffered)	Speeds (in MHz)	Ranks per DIMM (any combination; SR=Single Rank, DR=Dual Rank, QR=Quad Rank)
2	1	Unb. DDR3 ECC	800,1066,1333	SR or DR
2	2	Unb. DDR3 ECC	800,1066	Mixing SR, DR
<b>Note 1:</b> 1333 MHz for two DIMMs per channel is supported when Unbuf./ECC DIMMs are used. <b>Note 2:</b> Mixing of 1.35V and 1.5V DIMMs is not recommended.				

Due to the memory allocation to system devices, the amount of memory that remains available for operational use will be reduced when 4 GB of RAM is used. The reduction in memory availability is disproportional. Refer to the table below.

Possible System Memory Allocation & Availability			
System Device	Size	Physical Memory Remaining (Available) (3 GB Total System Memory)	Physical Memory Remaining (Available) (4 GB Total System Memory)
Firmware Hub flash memory (System BIOS)	1 MB	3.00	3.99
Local APIC	4 KB	3.00	3.99
Area Reserved for the chipset	2 MB	3.00	3.99
I/O APIC (4 Kbytes)	4 KB	3.00	3.99
PCI Enumeration Area 1	256 MB	3.00	3.76
PCI Express (256 MB)	256 MB	3.00	3.51
PCI Enumeration Area 2 (if needed) -Aligned on 256-MB boundary-	512 MB	3.00	3.01
VGA Memory	16 MB	2.85	2.85
TSEG	1 MB	2.84	2.84
Memory available to OS & other applications		2.84	2.84

## 5-7 Adding PCI Cards

### *PCI Express Slot*

The SuperServer 6026TT-HT(R)/F/HIBX(R)/F/HIBQ(R)/F server includes four preinstalled riser cards designed specifically for use in the SC827H-(R)1400B 2U rackmount chassis (one card for each node). These riser cards support four low-profile PCI Express x16 cards to fit inside the chassis.

### *PCI Card Installation*

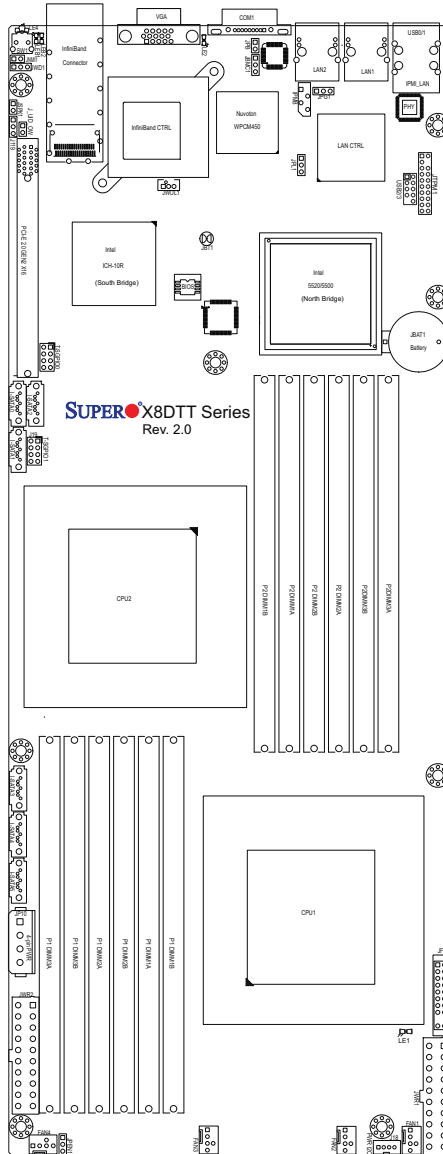
A riser card has already been preinstalled into each serverboard. Perform the following steps to add a PCI add-on card:

1. Remove the PCI slot shield on the chassis by releasing the locking tab.
2. Insert the add-on card into the riser card.
3. Secure the add-on card with the locking tab.



## 5-8 Serverboard Details

Figure 5-4. X8DTT-H(F)/HIBX(F)/HIBQ(F) Series Motherboard Layout



**Note:** Jumpers not indicated are for test purposes only.

**X8DTT-H(F)/HIBX(F)/HIBQ(F) Quick Reference**

<b>Jumper</b>	<b>Description</b>	<b>Default Setting</b>
JBMC1	BMC Enable/Disable	Pins 1-2 (Enabled)
JBT1	CMOS Clear	(See Section 5-10)
JPEN1	Normal Power Enable	Pins 1-2 (Enabled)
JPG1	VGA Enable/Disable	Pins 1-2 (Enabled)
JPL1	LAN1/2 Enable/Disable	Pins 1-2 (Enabled)
J_UID_OW	Red LED Overwrite	Open (Overwrite)
JWD1	Watch Dog Enable/Disable/Reset	Pins 1-2 (Reset)

<b>Connector</b>	<b>Description</b>
COM1	COM1 Serial Port
FAN 1-4	System/CPU Fan Headers
InfiniBand	InfiniBand Connector
IPMB	IPMB Header (for an IPMI Card)
PWR I2C	Power Supply SMBus I2C Header
JF1	Front Panel Connector
JNMI1	NMI (Non-Masked Interrupt) Header
JP10	Onboard 4-pin Power Connector
JPSK1	Internal Speaker/Buzzer Header
JTPM1	Trusted Platform Module Header
JWR1/JWR2	12V 20-pin Power Connectors
JWOL1	Wake-On-LAN Header
LAN1/2	Gigabit Ethernet (RJ45) Ports
IPMI LAN	Dedicated IPMI LAN Port
SATA0 ~ SATA5	SATA Ports
SMBus	System Management Bus Header
SW1	Unit Identifier Switch
T-SGPIO-0/T-SGPIO-1	Serial General Purpose Input/Output Headers
USB0/1, USB 2/3	Universal Serial Bus (USB) Ports 0/1, 2/3

<b>LED</b>	<b>Description</b>
LE1	Standby Power LED
LE2	BMC Heartbeat LED
LE4	(Rear) Unit Identifier (UID) LED Indicator
LEB1	InfiniBand Link LED
LEB2	BMC Activity LED

## 5-9 Connector Definitions

### ATX Power Connector

The main ATX power supply connectors on the X8DTT-H(F)/HIBX(F)/HIBQ(F) are proprietary 20-pin connections. Refer to the table on the right for the pin definitions. Only one of the two ATX power connectors from each serverboard should be connected to the power supply.

ATX Power 20-pin Connector Pin Definitions (ATX Power 1/2)			
Pin #	Definition	Pin #	Definition
11	PS On	1	Ground
12	5VSB	2	Ground
13	Ground	3	Ground
14	Ground	4	Ground
15	Ground	5	Ground
16	NC2	6	NC1
17	12V	7	12V
18	12V	8	12V
19	12V	9	12V
20	12V	10	12V

### Auxiliary Power Connector

A 4-pin 12V auxiliary power connector is included to provide power to hard drive disks. See the table on the right for pin definitions.

Auxiliary Power Pin Definitions (JP10)	
Pin#	Definition
1	+12V
2	Ground
3	Ground
4	+5V

### PW\_ON Connector

The PW\_ON connector is on pins 1 and 2 of JF1. This header should be connected to the chassis power button. See the table on the right for pin definitions.

Power Button Pin Definitions (JF1)	
Pin#	Definition
1	PW_ON
2	Ground

### Reset Connector

The reset connector is located on pins 3 and 4 of JF1 and attaches to the reset switch on the computer chassis. See the table on the right for pin definitions.

Reset Button Pin Definitions (JF1)	
Pin#	Definition
3	Reset
4	Ground

**Power Fail LED**

The Power Fail LED connection is located on pins 5 and 6 of JF1. Refer to the table on the right for pin definitions.

<b>PWR Fail LED Pin Definitions (JF1)</b>	
Pin#	Definition
5	3.3V
6	PWR Fail LED

**Overheat/Fan Fail/PWR Fail/UID LED**

Pins 7 and 8 of JF1 are for the Overheat/ Fan Fail/Power Fail and UID LED connections. The red LED (pin 8) provides warnings of overheat, fan failure or power failure. The blue LED (pin 7) is for the UID LED indicator for the control panel UID button. Refer to the tables on the right for pin definitions.

<b>OH/Fan Fail/ PWR Fail/Blue_UID LED Pin Definitions (JF1)</b>	
Pin#	Definition
7	Blue UID LED/5.5V.SB
8	OH/Fan Fail/PWR Fail/Red UID LED

<b>OH/Fan Fail/PWR Fail LED Status (Red LED)</b>	
State	Definition
Off	Normal
On	Overheat
Flashing	Fan Fail

**NIC2 (LAN2) LED**

The LED connections for LAN2 are on pins 9 and 10 of JF1. Attach LAN LED cables to display network activity. See the table on the right for pin definitions.

<b>NIC2 LED Pin Definitions (JF1)</b>	
Pin#	Definition
9	Vcc
10	Ground

**NIC1 (LAN1) LED**

The LED connections for LAN1 are on pins 11 and 12 of JF1. Attach LAN LED cables to display network activity. See the table on the right for pin definitions.

<b>NIC1 LED Pin Definitions (JF1)</b>	
Pin#	Definition
11	Vcc
12	Ground

### HDD LED

The HDD LED and UID switch connections are located on pins 13 and 14 of JF1. Attach a hard drive LED cable here to display disk activity. This connection is also used for the front panel UID switch. The UID LED on pin 7 of JF1 works in conjunction with this switch. See the table on the right for pin definitions.

HDD LED Pin Definitions (JF1)	
Pin#	Definition
13	UID Signal/3.3V
14	HDD Active

### Power On LED

The Power On LED connector is located on pins 15 and 16 of JF1. This connection is used to provide LED indication of power being supplied to the system. See the table on the right for pin definitions.

Power LED Pin Definitions (JF1)	
Pin#	Definition
15	5V Stby
16	Control

### NMI Button

The non-maskable interrupt button header is located on pins 19 and 20 of JF1. Refer to the table on the right for pin definitions.

NMI Button Pin Definitions (JF1)	
Pin#	Definition
19	Control
20	Ground

### Fan Headers

Four 4-pin fan headers (backward compatible with traditional 3-pin fans ) are included on the motherboard. Fan speed control is available for 4-pin fans only. The fan speeds are controlled by Thermal Management via Hardware Monitoring in the Advanced Setting in the BIOS. (The default setting is disabled.) See the table on the right for pin definitions.

Fan Header Pin Definitions (FAN1-4)	
Pin#	Definition
1	Ground (Black)
2	+12V (Red)
3	Tachometer
4	PWM Control

### Universal Serial Bus (USB)

Two Universal Serial Bus ports are located on the I/O panel. Two USB headers are located on the serverboard and can be used to provide front side USB access (cables not included). See the tables on the right for pin definitions.

USB Ports Pin Definitions (USB0/1/4)	
Pin#	Definition
1	+5V
2	PO-
3	PO+
4	Ground
5	N/A

USB Headers Pin Definitions (USB2/3)			
USB2		USB3	
Pin #	Definition	Pin #	Definition
1	+5V	2	+5V
3	PO-	4	PO-
5	PO+	6	PO+
7	Ground	8	Ground
9	Key	10	No connection

### Serial Ports

One serial port is included on the serverboard. The COM1 port is located beside the VGA port. See the table on the right for pin definitions.

Serial Port Pin Definitions (COM1)			
Pin #		Definition	
1	DCD	6	DSR
2	RXD	7	RTS
3	TXD	8	CTS
4	DTR	9	RI
5	Ground	10	NC

**Note:** NC indicates no connection.

### SGPIO Header

Two SGPIO (Serial General Purpose Input/Output) headers are included on the serverboard. These headers are used to communicate with the System Monitoring chip on the backplane to monitor SATA activity. See the table on the right for pin definitions.

SGPIO Header Pin Definitions (T-SGPIO0/T-SGPIO1)			
Pin#	Definition	Pin	Definition
1	NC	2	NC
3	Ground	4	DATA Out
5	Load	6	Ground
7	Clock	8	NC

**Note:** NC indicates no connection.

### SMB (I<sup>2</sup>C) Connector

System Management Bus (I<sup>2</sup>C) Connector (J18) monitors power supply, fan and system temperatures. See the table on the right for pin definitions.

PWR SMB (J18) Pin Definitions	
Pin#	Definition
1	Clock
2	Data
3	PWR Fail
4	Ground

### Trusted Platform Module Header

A Trusted Platform Module header (JTPM1) provides TPM support to enhance data integrity and system security. Refer to the table on the right for pin definitions.

Trusted Platform Module Header (JTPM1) Pin Definitions			
Pin#	Definition	Pin#	Definition
1	LPC Clock	2	Ground
3	LPC Frame#	4	Key
5	LPC Reset#	6	+5V (X)
7	LAD3	8	LAD2
9	+3.3V	10	LAD1
11	LAD0	12	Ground
13	SCL	14	SDAT
15	+3V Dual	16	SERIRQ (X)
17	Ground	18	CLKRUN (X)
19	LPCPD# (X)	20	LDRQ# (X)

### SMBus Header

The header at SMBus is for the System Management Bus. Connect the appropriate cable here to utilize SMB on the system. See the table on the right for pin definitions.

SMB Header (SMBus) Pin Definitions	
Pin#	Definition
1	Data
2	Ground
3	Clock
4	No Connection

### I<sup>2</sup>C Power Connector

This header is for I<sup>2</sup>C, which may be used to monitor the status of the power supply, fan and system temperature. See the table on the right for pin definitions.

I <sup>2</sup> C Power Connector (I <sup>2</sup> C_PWR) Pin Definitions	
Pin#	Definition
1	SMB Clock
2	SMB Data
3	Power Fail
4	Ground

**Wake-On-LAN**

The Wake-On-LAN header is located at JWOL1 on the motherboard. You must also have a LAN card with a Wake-On-LAN connector and a cable to use this feature. See the table on the right for pin definitions.

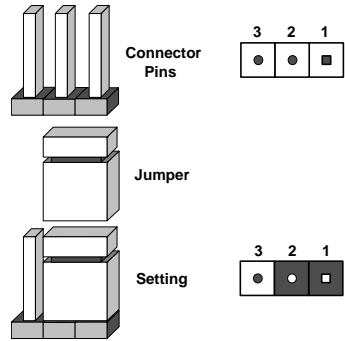
<b>Wake-On-LAN (JWOL1) Pin Definitions</b>	
Pin#	Definition
1	+5V Standby
2	Ground
3	Wake-up



## 5-10 Jumper Settings

To modify the operation of the serverboard, jumpers can be used to choose between optional settings. Jumpers create shorts between two pins to change the function of the connector. Pin 1 is identified with a square solder pad on the printed circuit board. See the serverboard layout pages for jumper locations.

**Note:** On a two-pin jumper, "Closed" means the jumper is on both pins and "Open" means the jumper is either on only one pin or completely removed.



### CMOS Clear

JBT1 is used to clear CMOS, which will also clear any passwords. Instead of pins, this jumper consists of contact pads to prevent accidentally clearing the contents of CMOS.

#### To Clear CMOS

1. First power down the system and unplug the power cord(s). It is also recommended that you remove the onboard battery from the serverboard.
2. With the power disconnected, short the CMOS pads with a metal object such as a small screwdriver.
3. Remove the screwdriver (or shorting device).
4. Reconnect the power cord(s) and power on the system.

**Note 1.** For an ATX power supply, you must completely shut down the system, remove the AC power cord, and then short JBT1 to clear CMOS.

**Note 2.** Be sure to remove the onboard CMOS Battery before you short JBT1 to clear CMOS.

**Note 3.** Clearing CMOS will also clear all passwords.

**Note 4:** Do not use the PW\_ON connector to clear CMOS.

### LAN1/LAN2 Enable/Disable

Change the setting of jumper JPL1 to enable or disable the LAN1 and LAN2 ports. See the table on the right for jumper settings. The default setting is enabled.

LAN1/2 Enable/Disable (LAN1/2) Jumper Settings	
Jumper Setting	Definition
Pins 1-2	Enabled
Pins 2-3	Disabled

### Watch Dog Enable/Disable

JWD1 enables the Watch Dog function, a system monitor that takes action when a software application freezes the system. Jumping pins 1-2 will have Watch Dog reboot the system if a program freezes. Jumping pins 2-3 will generate a non-maskable interrupt for the program that has frozen. See the table on the right for jumper settings. Watch Dog must also be enabled in BIOS.

Watch Dog (JWD1) Jumper Settings	
Jumper Setting	Definition
Pins 1-2	Reset
Pins 2-3	NMI
Open	Disabled

**Note:** When Watch Dog is enabled, the user must write their own application software to disable the Watch Dog Timer.

### Red LED Overwrite Enable/Disable

When jumper J\_UID\_OW is open (the default setting), the red LED for Overheat/Fan Fail/PWR Fail/UID LED (see pin 8 of JF1) will overwrite the signal from the blue UID LED (see pin 7 of JF1). That is, when the red LED is on, the blue LED will be turned off (when the red LED is off, the blue LED can be on or off). When this jumper is closed, the red and blue LEDs work independently of each other. See the table on the right for jumper settings.

Red LED Overwrite Enable/Disable (J_UID_OW) Jumper Settings	
Jumper	Definition
Open	Red OH/Fan Fail/PWR Fail LED (pin 8 of JF1) takes precedence over the Blue UID_LED (pin 7 of JF1).  Red LED: On, Blue LED: Off, Red LED: Off, Blue LED: On or Off
Closed	Red and Blue LEDs function independently.  Red LED: On, Blue LED: On, Off Red LED: Off, Blue LED: On, Off

### BMC Enable/Disable

Use jumper JPBMC1 to enable or disable the Winbond WPCM450 BMC (Baseboard Management Controller), which supports IPMI 2.0. See the table on the right for jumper settings.

BMC Enable/Disable (JPBMC1) Jumper Settings	
Both Jumpers	Definition
Pins 1-2	Enabled
Pins 2-3	Disabled

**VGA Enable/Disable**

JPG1 allows you to enable or disable the VGA port. The default position is on pins 1 and 2 to enable VGA. See the table on the right for jumper settings.

<b>VGA Enable/Disable (JPG1) Jumper Settings</b>	
Jumper Setting	Definition
Pins 1-2	Enabled
Pins 2-3	Disabled

**Power Setting Select**

JPEN1 allows you to configure power settings for hot-swap support on the Hot-Swap version of Chassis 827. To enable hot-swap support for this model of chassis, connect a cable to Pins 2~3 of JPEN1. To use the regular power setting for other chassis, close Pins 1~2 on JPEN1 with a cap. See the table on the right for jumper settings.

<b>Power Setting Select (JPEN1) Jumper Settings</b>	
Jumper	Definition
Pins 1-2	Onboard PWR setting
Pins 2-3	Hot Swap support

**5-11 Onboard Indicators****LAN1/LAN2 LEDs**

The Ethernet ports (located beside the COM port) have two LEDs. On each Gb LAN port, one LED indicates activity when blinking while the other LED may be green, amber or off to indicate the speed of the connection. See the table on the right for the functions associated with the connection speed LED.

<b>LAN1/LAN2 LEDs (Connection Speed Indicator)</b>	
LED Color	Definition
Off	No connection or 10 Mb/s
Green	100 Mb/s
Amber	1 Gb/s

**BMC Heartbeat LED**

LE2 is a BMC Heartbeat LED. When LE2 is blinking, the BMC (Baseboard Management Controller) is functioning normally. See the table at right for more information.

<b>BMC Heartbeat LED (LE2) Indicator Settings</b>	
Color/Status	Definition
Green: Blinking	BMC: Normal.

### Onboard Power LED

The LE1 LED is to indicate the system power is on. Be sure to turn off the system and unplug the power cord before removing or installing components. See the table at right for more information.

Onboard PWR LED (LE1) Indicator Settings	
LED Color	Definition
Off	System Off (PWR cable not connected)
Green	System On
Green: Flashing Quickly	ACPI S1 State

### InfiniBand LED Indicators (LEB1/ LEB2)

There are two LEDs associated with the InfiniBand connection: LEB1 and LEB2. The green LED (LEB1) is the InfiniBand Link LED and the yellow LED (LEB2) indicates activity. Refer to the table on the right for details.

InfiniBand Link LED (LEB1) Indicator Settings		
Color	Status	Definition
Green	Solid	InfiniBand: Connected
Off	Off	No connection

InfiniBand Activity LED (LEB2) Indicator Settings		
Color	Status	Definition
Yellow	Solid	InfiniBand: Active
Yellow	Dim	InfiniBand: Connected Activity: Idle
Off	Off	No connection

## 5-12 Serial ATA Connections

### SATA Ports

There are six Serial\_ATA ports on the motherboard (I-SATA ports 0~5) that support SATA 2.0 connections. See the table on the right for pin definitions.

SATA Connector (I-SATA0-5) Pin Definitions	
Pin#	Definition
1	Ground
2	TX_P
3	TX_N
4	Ground
5	RX_N
6	RX_P
7	Ground

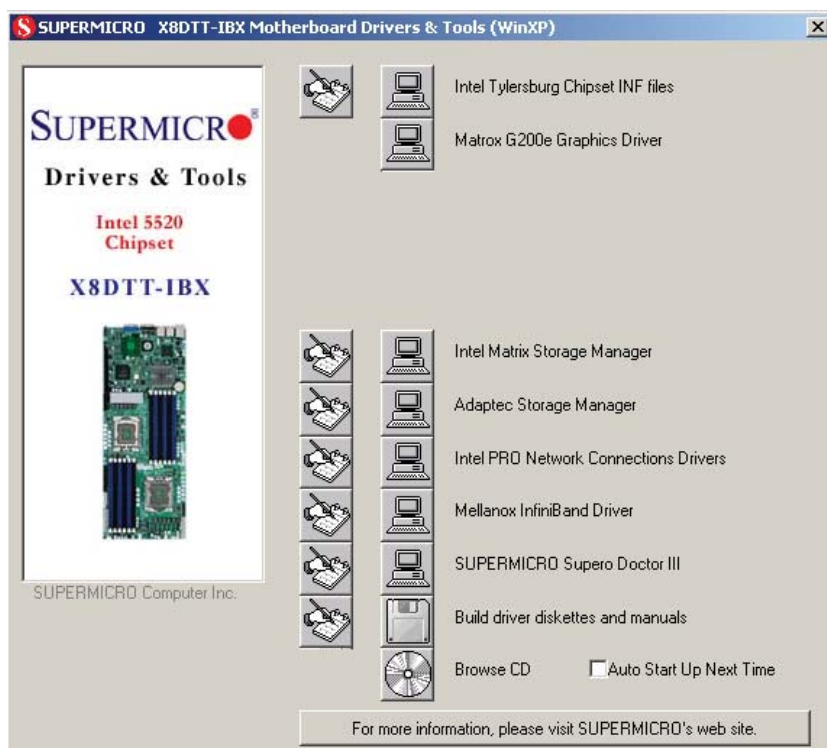
**Note:** For more information on SATA RAID configuration, please refer to the Intel SATA HostRAID or LSI MegaRAID User's Guide posted on our Website @ <http://www.supermicro.com>.

## 5-13 Installing Drivers

The CD that came bundled with the system contains drivers, some of which must be installed, such as the chipset driver. After inserting this CD into your CD-ROM drive, the display shown in Figure 5-5 should appear. (If this display does not appear, click on the My Computer icon and then on the icon representing your CD-ROM drive. Finally, double click on the S "Setup" icon.)

Click the icons showing a hand writing on paper to view the readme files for each item. Click the computer icons to the right of these items to install each item (from top to the bottom) one at a time. After installing each item, you should reboot the system before moving on to the next item on the list. The bottom icon with a CD on it allows you to view the entire contents of the CD.

Figure 5-5. Driver/Tool Installation Display Screen



## Supero Doctor III

The SuperDoctor® III program is a Web base management tool that supports remote management capability. It includes Remote and Local Management tools. The local management is called SD III Client. The SuperDoctor III program included on the CD-ROM that came with your motherboard allows you to monitor the environment and operations of your system. SuperDoctor III displays crucial system information such as CPU temperature, system voltages and fan status. See the Figure below for a display of the SuperDoctor III interface.

**Note:** The default User Name and Password for SuperDoctor III is ADMIN / ADMIN.

**Note:** When SuperDoctor is first installed, it adopts the temperature threshold settings that have been set in BIOS. Any subsequent changes to these thresholds must be made within SuperDoctor, as the SuperDoctor settings override the BIOS settings. To set the BIOS temperature threshold settings again, you would first need to uninstall SuperDoctor.

Figure 5-6. Supero Doctor III Interface Display Screen (Health Information)

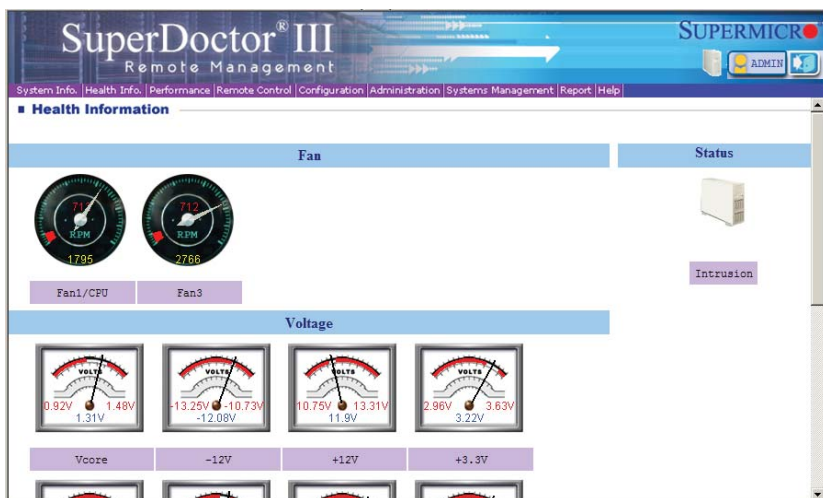
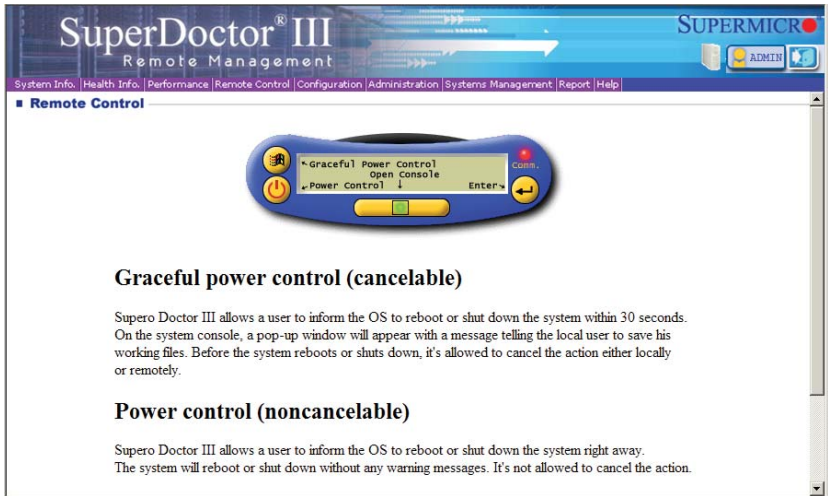


Figure 5-7. Supero Doctor III Interface Display Screen (Remote Control)

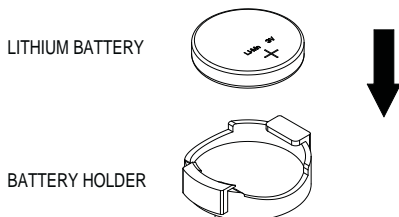


**Note:** The SuperDoctor III program and User's Manual can be downloaded from the Supermicro web site at <http://www.supermicro.com/products/accessories/software/SuperDoctorIII.cfm>. For Linux, we recommend that you use the SuperoDoctor II application instead.

## 5-14 Serverboard Battery

**Caution:** There is a danger of explosion if the onboard battery is installed upside down, which will reverse its polarities (see Figure 5-8). This battery must be replaced only with the same or an equivalent type recommended by the manufacturer (CR2032). Dispose of used batteries according to the manufacturer's instructions.

**Figure 5-8. Installing the Onboard Battery**



Please handle used batteries carefully. Do not damage the battery in any way; a damaged battery may release hazardous materials into the environment. Do not discard a used battery in the garbage or a public landfill. Please comply with the regulations set up by your local hazardous waste management agency to dispose of your used battery properly.



## Chapter 6

### Advanced Chassis Setup

This chapter covers the steps required to install components and perform maintenance on the SC827H-(R)1400B chassis. For component installation, follow the steps in the order given to eliminate the most common problems encountered. If some steps are unnecessary, skip ahead to the step that follows. The only tool you will need to install components and perform maintenance is a Philips screwdriver.

#### 6-1 Static-Sensitive Devices

Electrostatic Discharge (ESD) can damage electronic components. To prevent damage to any printed circuit boards (PCBs), it is important to handle them very carefully. The following measures are generally sufficient to protect your equipment from ESD discharge.

##### Precautions

- Use a grounded wrist strap designed to prevent static discharge.
- Touch a grounded metal object before removing any board from its antistatic bag.
- Handle a board by its edges only; do not touch its components, peripheral chips, memory modules or gold contacts.
- When handling chips or modules, avoid touching their pins.
- Put the serverboard, add-on cards and peripherals back into their antistatic bags when not in use.
- For grounding purposes, make sure your computer chassis provides excellent conductivity between the power supply, the case, the mounting fasteners and the serverboard.

##### Unpacking

The serverboard is shipped in antistatic packaging to avoid static damage. When unpacking the board, make sure the person handling it is static protected.

Figure 6-1. Chassis Front View

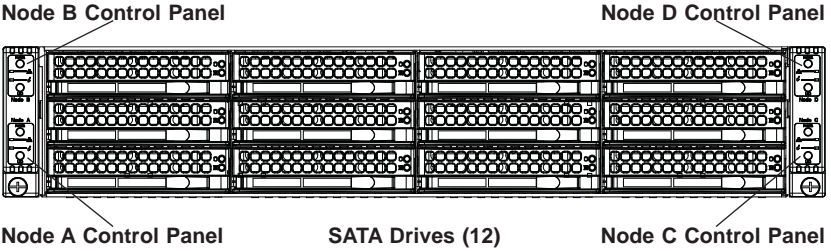
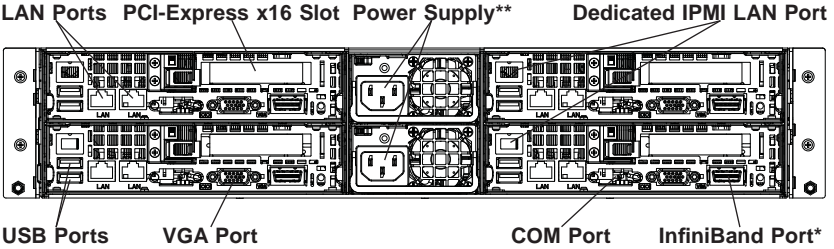


Figure 6-2. Chassis Rear View



\*The InfiniBand ports are included on the 6026TT-BIBX(R)/F and 6026TT-BIBQ(R)/F only.

\*\*Redundant power is included on the 6026TT-BTRF/BIBXRF/BIBQRF models only.

## 6-2 Control Panel

Each control panel on the front of the chassis must be connected to the JF1 connector on its associated serverboard to provide you with system control buttons and status indicators.

These wires have been bundled together in a ribbon cable to simplify the connection. Pull all excess cabling out of the airflow path. The LEDs inform you of system status for the serverboard it is connected to. See Chapter 3 for details on the LEDs and the control panel buttons.

## 6-3 System Fans

The system has four hot-swappable 8-cm PWM fans to provide the cooling for all four nodes. The fans connect directly to the backplane but receive their power from the serverboard they are connected to logically. Fan speed may be controlled by a setting in BIOS (see Chapter 7).

## Fan Configuration

In the 2U Twin<sup>2</sup>, each node (serverboard) controls the two fans that reside on its side of the chassis. This means that two nodes will share control for two fans. If the fan speed settings in BIOS are different for these two nodes, the BIOS setting with the higher fan speed will apply. In the event that one of the serverboard drawers is removed, then the remaining node/serverboard will operate both fans.

**Note:** Due to this configuration, both nodes on the same side of the chassis as the failed fan must be powered down before replacing the fan.

## System Fan Failure

If a fan fails, the remaining fans will ramp up to full speed and the overheat/fan fail LED on the control panel will blink on and off (about once per second). Replace any failed fan at your earliest convenience with the same type and model. See note above about powering down the nodes associated with the failed fan before replacing.

### *Changing a System Fan*

1. If necessary, open the chassis while the power is running to determine which fan has failed. (Never run the server for an extended period of time with the chassis cover open.)
2. Remove the failed fan's wiring from the backplane.
3. Lift the fan housing up and out of the chassis.
4. Push the fan up from the bottom and out of the top of the housing.
5. Place the replacement fan into the vacant space in the housing while making sure the arrows on the top of the fan (indicating air direction) point in the same direction as the arrows on the other fans.
6. Confirm that the fan is working properly before replacing the chassis cover.

## 6-4 Hard Drive Installation/Removal

### Overview

The hard drives are mounted in drive carriers to simplify their installation and removal from the chassis. These carriers also help promote proper airflow for the system. For this reason, even empty carriers without drives installed must remain in the chassis.

Because of their hot-swap capability, you do not need to access the inside of the chassis or power down the system to install or replace hard drives.

**Note:** The operating system you use must have RAID support to enable the hot-swap capability of the hard drives.

**Caution:** Use caution when working around the hard drive backplane. Do not touch the backplane with any metal objects and make sure no cables touch the backplane. Also, regardless of how many drives are installed, all twelve drive carriers must remain in the chassis to maintain proper airflow.

**Caution:** Be aware that powering down a node will power down all the hard drives that are logically associated with it (as shown in Figure 6-6).

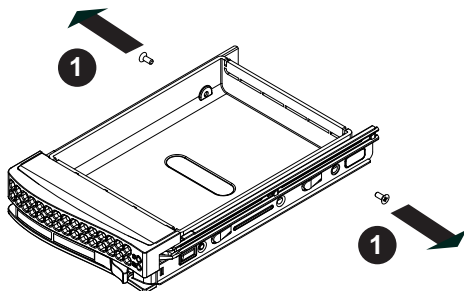
### Installing and Removing Hard Drives

#### *Installing a Hard Drive into the Drive Carrier*

Empty drive carriers have pre-installed dummy drive trays. This dummy tray needs to be removed before installing an actual hard drive (see Figure 6-3).

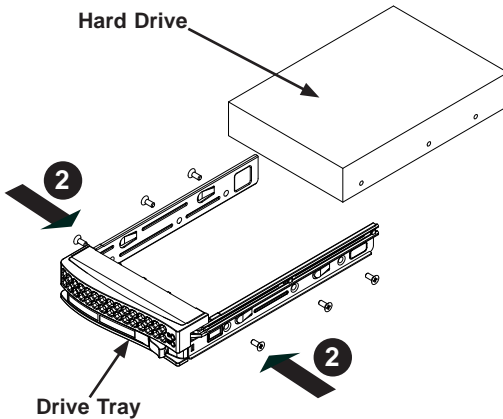
1. Remove the screws (2) holding connecting the drive tray the carrier.
2. Remove the tray from the carrier.

**Figure 6-3. Removing a Dummy Drive Tray**



**Mounting a Hard Drive in a Carrier**

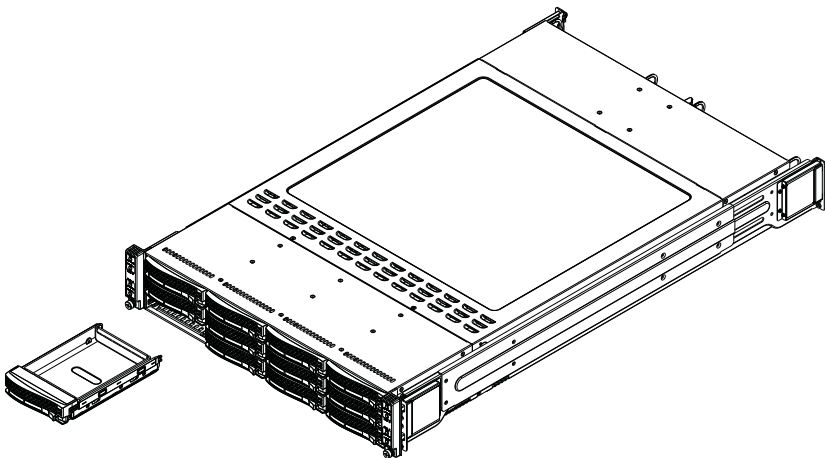
1. Install the drive into the carrier with the printed circuit board side facing down so that the mounting holes align with those in the carrier.
2. Secure the drive to the carrier with six screws, as shown in Figure 6-4.
3. Use the open handle to replace the drive tray into the chassis. Make sure to fully close the drive carrier handle.

**Figure 6-4. Mounting a Hard Drive in a Carrier**

### ***Installing/Removing Hot-swap Drives***

1. To remove a carrier, push the release button located beside the drive LEDs.
2. Swing the handle fully out and use it to pull the unit straight out (see Figure 6-5).

**Figure 6-5. Removing a Hard Drive**

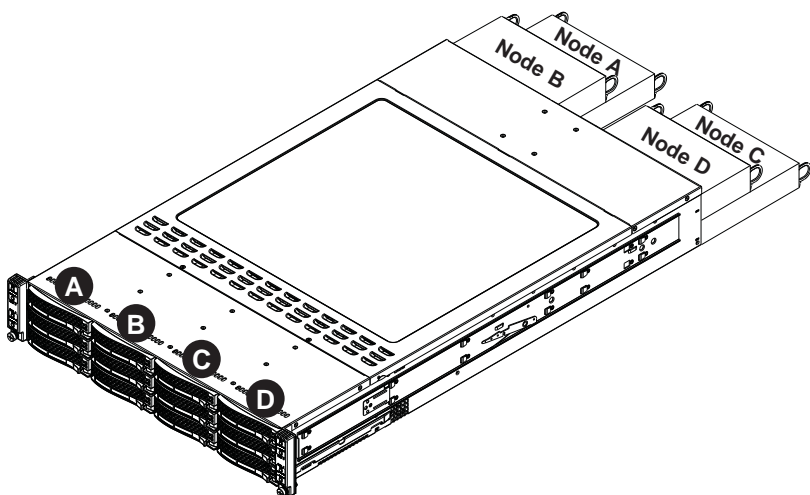


**Warning:** Enterprise level hard disk drives are recommended for use in Supermicro chassis and servers. For information on recommended HDDs, visit the Supermicro Web site at <http://www.supermicro.com/products/nfo/files/storage/SAS-CompList.pdf>

## 6-5 Node Installation/Removal

As with any server system, power must be removed from the serverboard when upgrading or installing memory or processors. In the 2U Twin<sup>2</sup> server, the serverboards (nodes) are capable of being hot-swapped from the chassis, allowing one to be powered down for servicing while the others continue operating.

Figure 6-6. Drives and Nodes: Logical Configuration



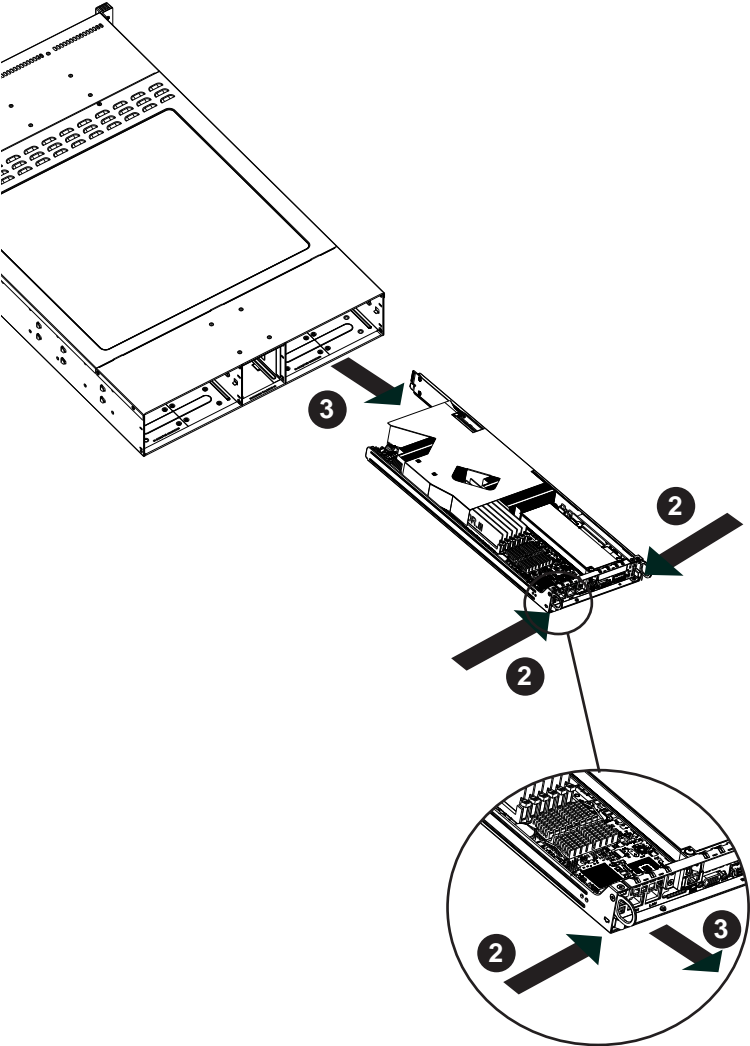
**Warning:** Important! Removing a node from the server affects the airflow throughout the system. For this reason, nodes should be removed, serviced and replaced as quickly as possible. Also note that powering down a node will power down all the hard drives that are logically associated with it.

### **Removing a Node**

1. Depress the power button on the control panel to power down the node.
2. There are two latches located below the handles at the rear of the node tray. Push both of these inward.
3. While pushing the latches inward, grasp both handles and pull the node from the chassis.
4. Perform any service needed to the node in a timely manner.
5. Reinstall the node by pushing it into its bay until firmly seated.

**Note:** see Figure 6-1 for the locations of the control panels that are associated with each node.

Figure 6-7. Removing a System Node





## 6-6 Installing the Air Shrouds

### Air Shrouds

Air shrouds concentrate airflow to maximize fan efficiency. The SC827 chassis air shroud does not require screws to set up. Four identical air shrouds are required, one in each serverboard drawer.

#### *Installing an Air Shroud*

1. Confirm that all four fans are in place and working properly
2. Place the first air shroud into the serverboard drawer. The air shroud sits behind the system fans and goes over the top of the serverboard and its components.
3. Repeat the procedure for the remaining three serverboard drawers.

## 6-7 Power Supply

The SuperServer 6026TT-HTF, 6026TT-HIBXF and 6026TT-HIBQF servers have a single 1400 Watt power supply (you may add an additional power supply module for redundancy). The power supply module has an auto-switching capability, which enables it to automatically sense and operate at a 100V - 240V input voltage.

### Power Supply Failure: Single Power Supply Module

If the power supply module fails, the system will shut down and you will need to replace the module. Replacements can be ordered directly from Supermicro (see contact information in the Preface).

As there is only one power supply module in the system, power must be completely removed from the server before removing and replacing the power supply for whatever reason.

#### *Removing/Replacing the Power Supply (Figure 6-8)*

4. First unplug the AC power cord from the system.
5. Push the release tab on the back of the power supply.
6. Pull the power supply out using the handle provided.
7. Replace the failed power module with the same model (see Appendix C for part number).
8. Push the new power supply module into the power bay until you hear a click.
9. Reconnect the AC power cord and depress the power button on the control panel to restart the system.

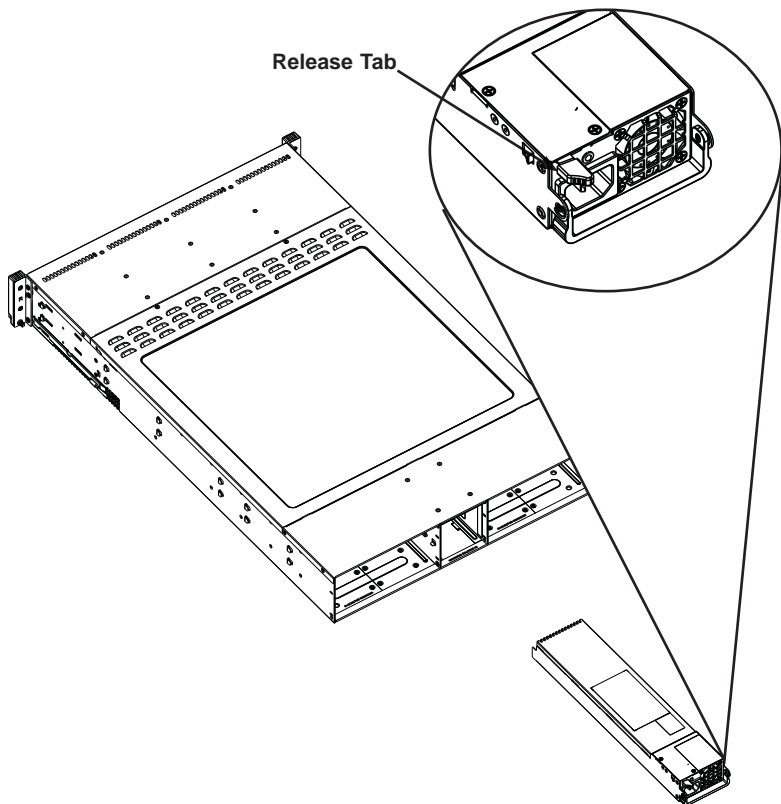
## **Power Supply Failure: Redundant Power (Two Modules)**

The SuperServer 6026TT-HTRF, 6026TT-HIBXRF and 6026TT-HIBQRF servers have two 1400 Watt power supply modules to provide redundant power for the system. If either of the two power supply modules fail, the other module will take the full load and allow the system to continue operation without interruption. The LED on the control panel will flash slowly (about 4 seconds on and 4 off) and remain flashing until the failed unit has been replaced. Replacement units can be ordered directly from Supermicro (see contact information in the Preface). The power supply units have a hot-swap capability, meaning you can replace the failed unit without powering down the system.

### ***Removing/Replacing the Power Supply (Figure 6-8)***

1. Disconnect the AC power cord from the failed module.
2. Push the colored release tab to the side and pull the power module out with the handle provided.
3. Replace the failed power supply module with the exact same model from Supermicro.
4. Carefully insert the new module into position in the chassis and push it in until fully seated. You should see the LED on the rear of the module turn amber showing that power (from the backup module) is present.
5. Reconnect the AC power cord to the new module.

Figure 6-8. Removing the Power Supply



## Notes

## Chapter 7

### BIOS

#### 7-1 Introduction

This chapter describes the AMI BIOS Setup Utility for the SuperServer 6026TT-HT(R)/HIBX(R)/HIBQ(R)F. The AMI ROM BIOS is stored in a Flash EEPROM and can be easily updated. This chapter describes the basic navigation of the AMI BIOS Setup Utility setup screens.

##### Starting BIOS Setup Utility

To enter the AMI BIOS Setup Utility screens, press the <Delete> key while the system is booting up.

**Note:** In most cases, the <Delete> key is used to invoke the AMI BIOS setup screen. There are a few cases when other keys are used, such as <F1>, <F2>, etc.

Each main BIOS menu option is described in this manual. The Main BIOS setup menu screen has two main frames. The left frame displays all the options that can be configured. Grayed-out options cannot be configured. Options in blue can be configured by the user. The right frame displays the key legend. Above the key legend is an area reserved for a text message. When an option is selected in the left frame, it is highlighted in white. Often a text message will accompany it. (**Note:** the AMI BIOS has default text messages built in. Supermicro retains the option to include, omit, or change any of these text messages.)

The AMI BIOS Setup Utility uses a key-based navigation system called "hot keys". Most of the AMI BIOS setup utility "hot keys" can be used at any time during the setup navigation process. These keys include <F1>, <F10>, <Enter>, <ESC>, arrow keys, etc.

**Note:** Options printed in **Bold** are default settings.

##### How To Change the Configuration Data

The configuration data that determines the system parameters may be changed by entering the AMI BIOS Setup utility. This Setup utility can be accessed by pressing <Del> at the appropriate time during system boot.

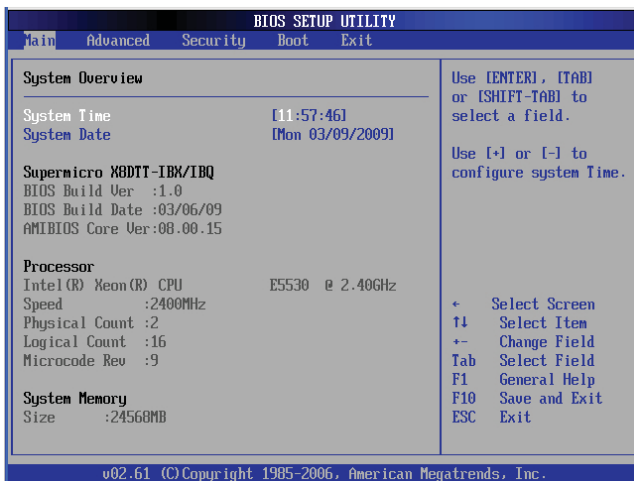
## Starting the Setup Utility

Normally, the only visible Power-On Self-Test (POST) routine is the memory test. As the memory is being tested, press the <Delete> key to enter the main menu of the AMI BIOS Setup Utility. From the main menu, you can access the other setup screens. An AMI BIOS identification string is displayed at the left bottom corner of the screen below the copyright message.

**Warning!** Do not upgrade the BIOS unless your system has a BIOS-related issue. Flashing the wrong BIOS can cause irreparable damage to the system. In no event shall Supermicro be liable for direct, indirect, special, incidental, or consequential damages arising from a BIOS update. If you have to update the BIOS, do not shut down or reset the system while the BIOS is updating. This is to avoid possible boot failure.

## 7-2 Main Setup

When you first enter the AMI BIOS Setup Utility, you will enter the Main setup screen. You can always return to the Main setup screen by selecting the Main tab on the top of the screen. The Main BIOS Setup screen is shown below.



## System Overview

The following BIOS information will be displayed:

### System Time/System Date

Use this option to change the system time and date. Highlight *System Time* or *System Date* using the arrow keys. Enter new values through the keyboard. Press the <Tab> key or the arrow keys to move between fields. The date must be entered in Day MM/DD/YY format. The time is entered in HH:MM:SS format. (**Note:** The time is in the 24-hour format. For example, 5:30 P.M. appears as 17:30:00.)

### Supermicro X8DTT/-F/-IBX/-IBXF/-IBQ/-IBQF

#### BIOS Build Version

This item displays the BIOS revision used in your system.

#### BIOS Build Date

This item displays the date when this BIOS was completed.

#### AMI BIOS Core Version

This item displays the revision number of the AMI BIOS Core upon which your BIOS was built.

## Processor

The AMI BIOS will automatically display the status of the processor used in your system:

#### CPU Type

This item displays the type of CPU used in the motherboard.

#### Speed

This item displays the speed of the CPU detected by the BIOS.

#### Physical Count

This item displays the number of processors installed in your system as detected by the BIOS.

#### Logical Count

This item displays the number of CPU Cores installed in your system as detected by the BIOS.

#### Micro\_code Revision

This item displays the revision number of the BIOS Micro\_code used in your system.

## System Memory

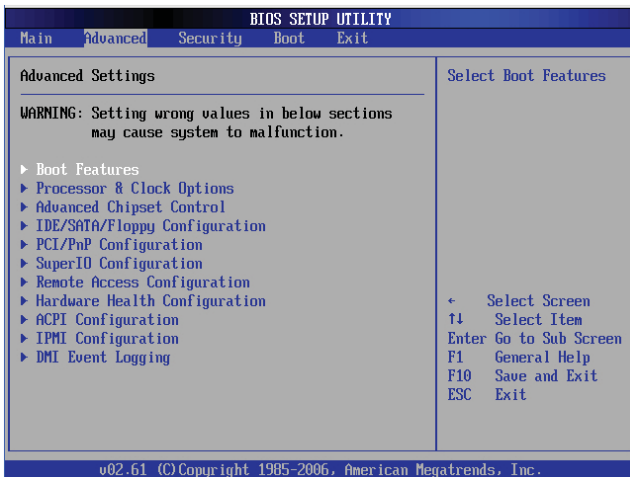
This displays the size of memory available in the system:

### Size

This item displays the memory size detected by the BIOS.

## 7-3 Advanced Setup Configurations

Use the arrow keys to select Boot Setup and hit <Enter> to access the submenu items:



### ► BOOT Features

#### Quick Boot

If Enabled, this option will skip certain tests during POST to reduce the time needed for system boot. The options are **Enabled** and Disabled.

#### Quiet Boot

This option allows the bootup screen options to be modified between POST messages or the OEM logo. Select Disabled to display the POST messages. Select Enabled to display the OEM logo instead of the normal POST messages. The options are Enabled and Disabled.

#### AddOn ROM Display Mode

This sets the display mode for Option ROM. The options are **Force BIOS** and Keep Current.



### **Bootup Num-Lock**

This feature selects the Power-on state for Numlock key. The options are Off and **On**.

### **Wait For 'F1' If Error**

This forces the system to wait until the 'F1' key is pressed if an error occurs. The options are Disabled and **Enabled**.

### **Hit 'Del' Message Display**

This feature displays "Press DEL to run Setup" during POST. The options are **Enabled** and Disabled.

### **Interrupt 19 Capture**

Interrupt 19 is the software interrupt that handles the boot disk function. When this item is set to Enabled, the ROM BIOS of the host adaptors will "capture" Interrupt 19 at boot and allow the drives that are attached to these host adaptors to function as bootable disks. If this item is set to Disabled, the ROM BIOS of the host adaptors will not capture Interrupt 19, and the drives attached to these adaptors will not function as bootable devices. The options are Enabled and **Disabled**.

## **► Power Configuration**

### **Power Button Function**

If set to Instant\_Off, the system will power off immediately as soon as the user hits the power button. If set to 4\_Second\_Override, the system will power off when the user presses the power button for 4 seconds or longer. The options are **Instant\_Off** and 4\_Second\_Override.

### **Restore on AC Power Loss**

Use this feature to set the power state after a power outage. Select Power-Off for the system power to remain off after a power loss. Select Power-On for the system power to be turned on after a power loss. Select Last State to allow the system to resume its last state before a power loss. The options are Power-On, Power-Off and **Last State**.

### **Watch Dog Timer**

If enabled, the Watch Dog Timer will allow the system to reboot when it is inactive for more than 5 minutes. The options are Enabled and **Disabled**.

## ► Processor and Clock Options

This submenu allows the user to configure the Processor and Clock settings.

### Ratio CMOS Setting

This option allows the user to set the ratio between the CPU Core Clock and the FSB Frequency. (**Note:** if an invalid ratio is entered, the AMI BIOS will restore the setting to the previous state.) The default setting depends on the type of CPU installed on the motherboard. The default setting for the CPU installed in your motherboard is [16]. Press "+" or "-" on your keyboard to change this value.

### C1E Support

Select Enabled to use the feature of Enhanced Halt State. C1E significantly reduces the CPU's power consumption by reducing the CPU's clock cycle and voltage during a "Halt State." The options are Disabled and **Enabled**.

### Hardware Prefetcher (Available when supported by the CPU)

If set to Enabled, the hardware pre fetcher will pre fetch streams of data and instructions from the main memory to the L2 cache in the forward or backward manner to improve CPU performance. The options are Disabled and **Enabled**.

### Adjacent Cache Line Prefetch (Available when supported by the CPU)

The CPU fetches the cache line for 64 bytes if this option is set to Disabled. The CPU fetches both cache lines for 128 bytes as comprised if **Enabled**.

### Intel® Virtualization Technology (Available when supported by the CPU)

Select Enabled to use the feature of Virtualization Technology to allow one platform to run multiple operating systems and applications in independent partitions, creating multiple "virtual" systems in one physical computer. The options are **Enabled** and Disabled. **Note:** If there is any change to this setting, you will need to power off and restart the system for the change to take effect. Please refer to Intel's web site for detailed information.

### Execute-Disable Bit Capability (Available when supported by the OS and the CPU)

Set to Enabled to enable the Execute Disable Bit which will allow the processor to designate areas in the system memory where an application code can execute and where it cannot, thus preventing a worm or a virus from flooding illegal codes to overwhelm the processor or damage the system during an attack. The default is **Enabled**. (Refer to Intel and Microsoft Web Sites for more information.)

**Simultaneous Multi-Threading (Available when supported by the CPU)**

Set to Enabled to use the Simultaneous Multi-Threading Technology, which will result in increased CPU performance. The options are Disabled and **Enabled**.

**Active Processor Cores**

Set to Enabled to use a processor's Second Core and beyond. (Please refer to Intel's web site for more information.) The options are **All**, 1 and 2.

**Intel® EIST Technology**

EIST (Enhanced Intel SpeedStep Technology) allows the system to automatically adjust processor voltage and core frequency in an effort to reduce power consumption and heat dissipation. **Please refer to Intel's web site for detailed information.** The options are Disable (Disable GV3) and **Enable (Enable GV3)**.

**Intel® TurboMode Technology**

Select Enabled to use the Turbo Mode to boost system performance. The options are **Enabled** and Disabled.

**Intel® C-STATE Tech**

If enabled, C-State is set by the system automatically to either C2, C3 or C4 state. The options are Disabled and **Enabled**.

**C-State package limit setting**

If set to Auto, the AMI BIOS will automatically set the limit on the C-State package register. The options are **Auto**, C1, C3, C6 and C7.

**C1 Auto Demotion**

When enabled, the CPU will conditionally demote C3, C6 or C7 requests to C1 based on un-core auto-demote information. The options are Disabled and **Enabled**.

**C3 Auto Demotion**

When enabled, the CPU will conditionally demote C6 or C7 requests to C3 based on un-core auto-demote information. The options are Disabled and **Enabled**.

**Clock Spread Spectrum**

Select Enable to use the feature of Clock Spectrum, which will allow the BIOS to monitor and attempt to reduce the level of Electromagnetic Interference caused by the components whenever needed. The options are **Disabled** and Enabled.

## ► Advanced Chipset Control

The items included in the Advanced Settings submenu are listed below:

### ► CPU Bridge Configuration

#### **QPI Links Speed**

This feature selects QPI's data transfer speed. The options are Slow-mode, and **Full Speed**.

#### **QPI Frequency**

This selects the desired QPI frequency. The options are **Auto**, 4.800 GT, 5.866GT, 6.400 GT.

#### **QPI L0s and L1**

This enables the QPI power state to low power. L0s and L1 are automatically selected by the motherboard. The options are Disabled and **Enabled**.

#### **Memory Frequency**

This feature forces a DDR3 frequency slower than what the system has detected. The available options are **Auto**, Force DDR-800, Force DDR-1066, and Force DDR-1333.

#### **Memory Mode**

The options are **Independent**, Channel Mirror, Lockstep and Sparing.

- Independent - All DIMMs are available to the operating system.
- Channel Mirror - The motherboard maintains two identical copies of all data in memory for redundancy.
- Lockstep - The motherboard uses two areas of memory to run the same set of operations in parallel.
- Sparing - A preset threshold of correctable errors is used to trigger fail-over. The spare memory is put online and used as active memory in place of the failed memory.

#### **Demand Scrubbing**

A memory error-correction scheme where the Processor writes corrected data back into the memory block from where it was read by the Processor. The options are Enabled and **Disabled**.

### **Patrol Scrubbing**

A memory error-correction scheme that works in the background looking for and correcting resident errors. The options are Enabled and **Disabled**.

### **NUMA Support**

Select Enabled to use the feature of Non-Uniform Memory Access to improve CPU performance. The options are **Enabled** and Disabled.

### **Memory ECC Error Threshold**

This feature allows the user to set the threshold for the ECC memory errors. The default setting is **2047**.

### **Throttling - Closed Loop/Throttling - Open Loop**

Throttling improves reliability and reduces power in the processor by automatic voltage control during processor idle states. Available options are Disabled and Enabled. If Enabled, the following items will appear:

#### **Hysteresis Temperature**

Temperature Hysteresis is the temperature lag (in degrees Celsius) after the set DIMM temperature threshold is reached before Closed Loop Throttling begins. The options are Disabled, **1.5°C**, 3.0°C, and 6.0°C.

#### **Guardband Temperature**

This is the temperature which applies to the DIMM temperature threshold. Each step is in 0.5°C increment. The default is **[006]**. Press "+" or "-" on your keyboard to change this value.

#### **Inlet Temperature**

This is the temperature detected at the chassis inlet. Each step is in 0.5°C increment. The default is **[070]**. Press "+" or "-" on your keyboard to change this value.

#### **Temperature Rise**

This is the temperature rise to the DIMM thermal zone. Each step is in 0.5°C increment. The default is **[020]**. Press "+" or "-" on your keyboard to change this value.

#### **Air Flow**

This is the air flow speed to the DIMM modules. Each step is one mm/sec. The default is **[1500]**. Press "+" or "-" on your keyboard to change this value.

### **Altitude**

This feature defines how many meters above or below sea level the system is located. The options are **Sea Level or Below**, 1~300, 301~600, 601~900, 901~1200, 1201~1500, 1501~1800, 1801~2100, 2101~2400, 2401~2700, 2701~3000.

### **DIMM Pitch**

This is the physical space between each DIMM module. Each step is in 1/1000 of an inch. The default is **[400]**. Press "+" or "-" on your keyboard to change this value.

## **►North Bridge Configuration**

This feature allows the user to configure the settings for the Intel IOH chip.

### **Crystal Beach/DMA (Direct Memory Access)**

This feature works with the Intel I/O AT (Acceleration Technology) to accelerate the performance of TOE devices. (**Note:** A TOE device is a specialized, dedicated processor that is installed on an add-on card or a network card to handle some or all packet processing of this add-on card.) When this feature is set to Enabled, it will enhance overall system performance by providing direct memory access for data transferring. The options are Enabled and **Disabled**.

### **Intel VT-d**

Select Enabled to enable Intel's Virtualization Technology support for Direct I/O VT-d by reporting the I/O device assignments to VMM through the DMAR ACPI Tables. This feature offers fully-protected I/O resource-sharing across the Intel platforms, providing the user with greater reliability, security and availability in networking and data-sharing. The settings are Enabled and **Disabled**.

### **IOH PCIE Max Payload Size**

Some add-on cards perform faster with the coalesce feature, which limits the payload size to 128 MB; while others, with a payload size of 256 MB which inhibits the coalesce feature. Please refer to your add-on card user guide for the desired setting. The options are 256 MB and **128MB**.

### **PCI-E Port 1 Link Select**

This feature allows the user to configure the IOH link settings for the PCI-E Port 1. The options are X4X4X4X4, X4X4X8, X8X4X4, X8X8, and **X16**.

## ► SouthBridge Configuration

This feature allows the user to configure the settings for the Intel ICH South Bridge chipset.

### **USB Functions**

This feature allows the user to decide the number of onboard USB ports to be enabled. The Options are: Disabled, 2 USB ports, 4 USB ports, 6 USB ports, 8 Ports, 10 Ports and **12 USB ports**.

### **Legacy USB Support**

Select Enabled to use Legacy USB devices. If this item is set to Auto, Legacy USB support will be automatically enabled if a legacy USB device is installed on the motherboard, and vice versa. The settings are Disabled, and **Enabled**.

### **USB 2.0 Controller**

Select Enabled to activate the onboard USB 2.0 controller. The options are **Enabled** and Disabled.

### **USB 2.0 Controller Mode**

This setting allows you to select the USB 2.0 Controller mode. The options are **Hi-Speed (480 Mbps)** and Full Speed (12 Mbps).

### **BIOS EHCI Hand-Off**

Select Enabled to enable BIOS Enhanced Host Controller Interface support to provide a workaround solution for an operating system that does not have EHCI Hand-Off support. When enabled, the EHCI Interface will be changed from the BIOS-controlled to the OS-controlled. The options are Disabled and **Enabled**.

## ►IDE/SATA Configuration

When this submenu is selected, the AMI BIOS automatically detects the presence of the IDE devices and displays the following items:

### SATA#1 Configuration

If Compatible is selected, it sets SATA#1 to legacy compatibility mode, while selecting Enhanced sets SATA#1 to native SATA mode. The options are Disabled, **Compatible** and Enhanced.

#### Configure SATA#1 as

This feature allows the user to select the drive type for SATA#1. The options are **IDE**, RAID and AHCI. (When the option-RAID is selected, the item-ICH RAID Code Base will appear. When the option-AHCI is selected, the item-SATA AHCI will be available.)

#### ICH RAID Code Base (This feature is available when the option-RAID is selected)

Select Intel to enable Intel's SATA RAID firmware to configure Intel's SATA RAID settings. Select Adaptec to enable Adaptec's SATA RAID firmware to configure Adaptec's SATA RAID settings. The options are **Intel** and Adaptec.

#### SATA AHCI (This feature is available when the option-AHCI is selected)

Select Enable to enable the function of Serial ATA Advanced Host Interface. (Take caution when using this function. This feature is for advanced programmers only.) The options are Enabled and **Disabled**. If the option-Enabled is selected, the following item will display.

#### Hot Plug (This feature is available when the option-Enabled is selected)

Select Enable to enable the hot plug function for the SATA devices. The options are **Enabled** and Disabled.

### SATA#2 Configuration

Selecting Enhanced will set SATA#2 to native SATA mode. The options are Disabled, and **Enhanced**.

### Primary IDE Master/Slave, Secondary IDE Master/Slave, Third IDE Master, and Fourth IDE Master

These settings allow the user to set the parameters of Primary IDE Master/Slave, Secondary IDE Master/Slave, Third and Fourth IDE Master slots. Hit <Enter> to activate the following submenu screen for detailed options of these items. Set the correct configurations accordingly. The items included in the submenu are:



**Type**

Select the type of device connected to the system. The options are Not Installed, **Auto**, CD/DVD and ARMD.

**LBA/Large Mode**

LBA (Logical Block Addressing) is a method of addressing data on a disk drive. In the LBA mode, the maximum drive capacity is 137 GB. For drive capacities over 137 GB, your system must be equipped with a 48-bit LBA mode addressing. If not, contact your manufacturer or install an ATA/133 IDE controller card that supports 48-bit LBA mode. The options are Disabled and **Auto**.

**Block (Multi-Sector Transfer)**

Block Mode boosts the IDE drive performance by increasing the amount of data transferred. Only 512 bytes of data can be transferred per interrupt if Block Mode is not used. Block Mode allows transfers of up to 64 KB per interrupt. Select Disabled to allow data to be transferred from and to the device one sector at a time. Select Auto to allow data transfer from and to the device occur multiple sectors at a time if the device supports it. The options are **Auto** and Disabled.

**PIO Mode**

The IDE PIO (Programmable I/O) Mode programs timing cycles between the IDE drive and the programmable IDE controller. As the PIO mode increases, the cycle time decreases. The options are **Auto**, 0, 1, 2, 3, and 4.

Select Auto to allow the AMI BIOS to automatically detect the PIO mode. Use this value if the IDE disk drive support cannot be determined.

Select 0 to allow the AMI BIOS to use PIO mode 0. It has a data transfer rate of 3.3 MB/s.

Select 1 to allow the AMI BIOS to use PIO mode 1. It has a data transfer rate of 5.2 MB/s.

Select 2 to allow the AMI BIOS to use PIO mode 2. It has a data transfer rate of 8.3 MB/s.

Select 3 to allow the AMI BIOS to use PIO mode 3. It has a data transfer rate of 11.1 MB/s.

Select 4 to allow the AMI BIOS to use PIO mode 4. It has a data transfer bandwidth of 32-Bits. Select Enabled to enable 32-Bit data transfer.

### DMA Mode

Select Auto to allow the BIOS to automatically detect IDE DMA mode when the IDE disk drive support cannot be determined.

Select SWDMA0 to allow the BIOS to use Single Word DMA mode 0. It has a data transfer rate of 2.1 MB/s.

Select SWDMA1 to allow the BIOS to use Single Word DMA mode 1. It has a data transfer rate of 4.2 MB/s.

Select SWDMA2 to allow the BIOS to use Single Word DMA mode 2. It has a data transfer rate of 8.3 MB/s.

Select MWDMA0 to allow the BIOS to use Multi Word DMA mode 0. It has a data transfer rate of 4.2 MB/s.

Select MWDMA1 to allow the BIOS to use Multi Word DMA mode 1. It has a data transfer rate of 13.3 MB/s.

Select MWDMA2 to allow the BIOS to use Multi-Word DMA mode 2. It has a data transfer rate of 16.6 MB/s.

Select UDMA0 to allow the BIOS to use Ultra DMA mode 0. It has a data transfer rate of 16.6 MB/s. It has the same transfer rate as PIO mode 4 and Multi Word DMA mode 2.

Select UDMA1 to allow the BIOS to use Ultra DMA mode 1. It has a data transfer rate of 25 MB/s.

Select UDMA2 to allow the BIOS to use Ultra DMA mode 2. It has a data transfer rate of 33.3 MB/s.

Select UDMA3 to allow the BIOS to use Ultra DMA mode 3. It has a data transfer rate of 66.6 MB/s.

Select UDMA4 to allow the BIOS to use Ultra DMA mode 4. It has a data transfer rate of 100 MB/s.

Select UDMA5 to allow the BIOS to use Ultra DMA mode 5. It has a data transfer rate of 133 MB/s.

Select UDMA6 to allow the BIOS to use Ultra DMA mode 6. It has a data transfer rate of 133 MB/s. The options are **Auto**, SWDMAn, MWDMAAn, and UDMAAn.

### S.M.A.R.T. For Hard disk drives

Self-Monitoring Analysis and Reporting Technology (SMART) can help predict impending drive failures. Select Auto to allow the AMI BIOS to automatically detect hard disk drive support. Select Disabled to prevent the AMI BIOS from using the S.M.A.R.T. Select Enabled to allow the AMI BIOS to use the S.M.A.R.T. to support hard drive disk. The options are Disabled, Enabled, and **Auto**.

### 32Bit Data Transfer

Select **Enable** to enable the function of 32-bit IDE data transfer. The options are **Enabled** and **Disabled**.

### IDE Detect Timeout (sec)

Use this feature to set the time-out value for the BIOS to detect the ATA, ATAPI devices installed in the system. The options are 0 (sec), 5, 10, 15, 20, 25, 30, and **35**.

## ► PCI/PnP Configuration

### Clear NVRAM

This feature clears the NVRAM during system boot. The options are **No** and **Yes**.

### Plug & Play OS

Selecting **Yes** allows the OS to configure Plug & Play devices. (This is not required for system boot if your system has an OS that supports Plug & Play.) Select **No** to allow the AMI BIOS to configure all devices in the system.

### PCI Latency Timer

This feature sets the latency Timer of each PCI device installed on a PCI bus. Select 64 to set the PCI latency to 64 PCI clock cycles. The options are 32, **64**, 96, 128, 160, 192, 224 and 248.

### PCI IDE BusMaster

When enabled, the BIOS uses PCI bus mastering for reading/writing to IDE drives. The options are **Disabled** and **Enabled**.

### Load Onboard LAN1 Option ROM/Load Onboard LAN2 Option ROM

Select **Enabled** to enable the onboard LAN1 or LAN2 Option ROM. This is to boot computer using a network interface. The options are **Enabled** and **Disabled**.

## ► Super IO Device Configuration

### Serial Port1 Address/ Serial Port2 Address

This option specifies the base I/O port address and the Interrupt Request address of Serial Port 1 and Serial Port 2. Select Disabled to prevent the serial port from accessing any system resources. When this option is set to Disabled, the serial port physically becomes unavailable. Select 3F8/IRQ4 to allow the serial port to use 3F8 as its I/O port address and IRQ 4 for the interrupt address. The options for Serial Port1 are Disabled, **3F8/IRQ4**, 3E8/IRQ4, 2E8/IRQ3. The options for Serial Port2 are Disabled, **2F8/IRQ3**, 3E8/IRQ4, and 2E8/IRQ3.

## ► Remote Access Configuration

### Remote Access

This allows the user to enable the Remote Access feature. The options are Disabled and **Enabled**.

If Remote Access is set to Enabled, the following items will display:

### Serial Port Number



This feature allows the user to decide which serial port to be used for Console redirection. The options are COM 1 and **COM 2**.

### Serial Port Mode

This feature allows the user to set the serial port mode for Console Redirection. The options are **115200 8, n 1**; 57600 8, n, 1; 38400 8, n, 1; 19200 8, n, 1; and 9600 8, n, 1.

### Flow Control

This feature allows the user to set the flow control for Console Redirection. The options are **None**, Hardware, and Software.

### Redirection After BIOS POST

Select Disabled to turn off Console Redirection after Power-On Self-Test (POST). Select Always to keep Console Redirection active all the time after POST. (Note: This setting may not be supported by some operating systems.) Select Boot Loader to keep Console Redirection active during POST and Boot Loader. The options are Disabled, Boot Loader, and **Always**.

### Terminal Type

This feature allows the user to select the target terminal type for Console Redirection. The options are **ANSI**, VT100, and VT-UTF8.

### **VT-UTF8 Combo Key Support**

A terminal keyboard definition that provides a way to send commands from a remote console. The options are **Enabled** and Disabled.

### **Sredir Memory Display Delay**

This feature defines the length of time in seconds to display memory information. The options are **No Delay**, Delay 1 Sec, Delay 2 Sec, and Delay 4 Sec.

## **► Hardware Health Monitor**

This feature allows the user to monitor system health and review the status of each item as displayed.

### **CPU Overheat Alarm**

This option allows the user to select the CPU Overheat Alarm setting which determines when the CPU OH alarm will be activated to provide warning of possible CPU overheat.

**Warning!** 1. Any temperature that exceeds the CPU threshold temperature predefined by the CPU manufacturer may result in CPU overheat or system instability. When the CPU temperature reaches this predefined threshold, the CPU and system cooling fans will run at full speed. 2. To avoid possible system overheating, please be sure to provide adequate airflow to your system.

The options are:

- **The Early Alarm:** Select this setting if you want the CPU overheat alarm (including the LED and the buzzer) to be triggered as soon as the CPU temperature reaches the CPU overheat threshold as predefined by the CPU manufacturer.
- **The Default Alarm:** Select this setting if you want the CPU overheat alarm (including the LED and the buzzer) to be triggered when the CPU temperature reaches about 5°C above the threshold temperature as predefined by the CPU manufacturer to give the CPU and system fans additional time needed for CPU and system cooling. In both the alarms above, please take immediate action as shown below.

### **CPU Temperature/System Temperature**

This feature displays current temperature readings for the CPU and the System.

The following items will be displayed for your reference only:

## CPU Temperature

The CPU thermal technology that reports absolute temperatures (Celsius/Fahrenheit) has been upgraded to a more advanced feature by Intel in its newer processors. The basic concept is each CPU is embedded by unique temperature information that the motherboard can read. This 'Temperature Threshold' or 'Temperature Tolerance' has been assigned at the factory and is the baseline on which the motherboard takes action during different CPU temperature conditions (i.e., by increasing CPU Fan speed, triggering the Overheat Alarm, etc). Since CPUs can have different 'Temperature Tolerances', the installed CPU can now send information to the motherboard what its 'Temperature Tolerance' is, and not the other way around. This results in better CPU thermal management.

Supermicro has leveraged this feature by assigning a temperature status to certain thermal conditions in the processor (Low, Medium and High). This makes it easier for the user to understand the CPU's temperature status, rather than by just simply seeing a temperature reading (i.e., 25°C). The CPU Temperature feature will display the CPU temperature status as detected by the BIOS:

**Low** – This level is considered as the 'normal' operating state. The CPU temperature is well below the CPU 'Temperature Tolerance'. The motherboard fans and CPU will run normally as configured in the BIOS (Fan Speed Control).

User intervention: No action required.

**Medium** – The processor is running warmer. This is a 'precautionary' level and generally means that there may be factors contributing to this condition, but the CPU is still within its normal operating state and below the CPU 'Temperature Tolerance'. The motherboard fans and CPU will run normally as configured in the BIOS. The fans may adjust to a faster speed depending on the Fan Speed Control settings.

User intervention: No action is required. However, consider checking the CPU fans and the chassis ventilation for blockage.

**High** – The processor is running hot. This is a 'caution' level since the CPU's 'Temperature Tolerance' has been reached (or has been exceeded) and may activate an overheat alarm.

User intervention: If the system buzzer and Overheat LED has activated, take action immediately by checking the system fans, chassis ventilation and room temperature to correct any problems.

### Notes:

1. The system may shut down if it continues for a long period to prevent damage to the CPU.
2. The information provided above is for your reference only. For more information on thermal management, please refer to Intel's Web site at [www.Intel.com](http://www.Intel.com).

**System Temperature:** The system temperature will be displayed (in degrees in Celsius and Fahrenheit) as it is detected by the BIOS.

### **Fan Speed Control Monitor**

This feature allows the user to decide how the system controls the speeds of the onboard fans. The CPU temperature and the fan speed are correlative. When the CPU on-die temperature increases, the fan speed will also increase, and vice versa. Select Workstation if your system is used as a Workstation. Select Server if your system is used as a Server. Select "Disabled, (Full Speed @12V)" to disable the fan speed control function and allow the onboard fans to constantly run at the full speed (12V). The Options are: 1. **Disabled (Full Speed)**, 2. Server Mode, 3. Workstation Mode.

### **Fan1 ~ Fan 4 Reading**

This feature displays the fan speed readings from fan interfaces Fan1 through Fan5. CPU1 Vcore, CPU2 Vcore, +5Vin, +12Vcc (V), VP1 DIMM, VP2 DIMM, 3.3Vcc (V), and Battery Voltage.

## **►ACPI Configuration**

Use this feature to configure Advanced Configuration and Power Interface (ACPI) power management settings for your system.

### **ACPI Version Features**

The options are **ACPI v1.0**, ACPI v2.0 and ACPI v3.0. Please refer to ACPI's website for further explanation: <http://www.acpi.info/>.

### **ACPI APIC Support**

Select Enabled to include the ACPI APIC Table Pointer in the RSDT (Root System Description Table) pointer list. The options are **Enabled** and Disabled.

### **APIC ACPI SCI IRQ**

When this item is set to Enabled, APIC ACPI SCI IRQ is supported by the system. The options are Enabled and **Disabled**.

### **Headless Mode**

This feature is used to enable system to function without a keyboard, monitor or mouse attached. The options are Enabled and **Disabled**.

### High Performance Event Timer

Select Enabled to activate the High Performance Event Timer (HPET) that produces periodic interrupts at a much higher frequency than a Real-time Clock (RTC) does in synchronizing multimedia streams, providing smooth playback and reducing the dependency on other timestamp calculation devices, such as an x86 RDTSC Instruction embedded in the CPU. The High Performance Event Timer is used to replace the 8254 Programmable Interval Timer. The options are Enabled and Disabled.

## ► General WHEA Configuration

### WHEA Support

Select Enabled to enable Windows Hardware Error Architecture (WHEA) support which will provide a common infrastructure for handling hardware errors on Windows platforms in order to reduce system crashes due to hardware errors and improve system recovery and health monitoring. The default setting is **Enabled**.

## ► IPMI Configuration (X8DTT-HF/-HIBXF/-HIBQF Only)

Intelligent Platform Management Interface (IPMI) is a set of common interfaces that IT administrators can use to monitor system health and to manage the system as a whole. For more information on the IPMI specifications, please visit Intel's website at [www.intel.com](http://www.intel.com).

### Status of BMC

Baseboard Management Controller (BMC) manages the interface between system management software and platform hardware. This is an informational feature which returns the status code of the BMC micro controller.

### IPMI Firmware Revision

This item indicates the revision number of the current IPMI Firmware.



## ►View BMC System Event Log

This feature displays the BMC System Event Log (SEL). It shows the total number of entries of BMC System Events. To view an event, select an Entry Number and pressing <Enter> to display the information as shown in the screen.

- Total Number of Entries
- SEL Entry Number
- SEL Record ID
- SEL Record Type
- Timestamp
- Generator ID
- Event Message Format User
- Event Sensor Type
- Event Sensor Number,

## ►Set LAN Configuration

Set this feature to configure the IPMI LAN adapter with a network address as shown in the following graphics.

- **Channel Number** - Enter the channel number for the SET LAN Config command. This is initially set to **[1]**. Press "+" or "-" on your keyboard to change the Channel Number.
- **Channel Number Status** - This feature returns the channel status for the Channel Number selected above: "Channel Number is OK" or "Wrong Channel Number".

## ►IP Address Configuration

Enter the IP address for this machine. This should be in decimal and in dotted quad form (i.e., 192.168.10.253). The value of each three-digit number separated by dots should not exceed 255 as shown in the screen below.

### Parameter Selector

Use this feature to select the parameter of your IP Address configuration.

### **IP Address Source**

Select the source of this machine's IP address. If Static is selected, you will need to know and enter manually the IP address of this machine below. If DHCP is selected, the BIOS will search for a DHCP (Dynamic Host Configuration Protocol) server in the network it is attached to, and request the next available IP address. The options are **DHCP** and Static.

The following items are assigned IP addresses automatically if DHCP is selected under IP Address Source above:

### **IP Address**

The BIOS will automatically enter the IP address of this machine; however it may be over-riden. IP addresses are 6 two-digit hexadecimal numbers separated by dots.

### **Current IP Address in BMC**

This item displays the current IP address used for your IPMI connection.

## **►MAC Address Configuration**

Enter the Mac address for this machine. This should be in decimal and in dotted quad form (i.e., 192.168.10.253). The value of each three-digit number separated by dots should not exceed 255 as shown in the screen below.

### **Parameter Selector**

Use this feature to select the parameter of your Mac Address configuration.

### **Mac Address**

The BIOS will automatically enter the Mac address of this machine; however it may be over-riden. Mac addresses are 6 two-digit hexadecimal numbers separated by dots.

### **Current Mac Address in BMC**

This item displays the current Mac address used for your IPMI connection.

## **►Subnet Mask Configuration**

Subnet masks tell the network which subnet this machine belongs to. The value of each three-digit number separated by dots should not exceed 255.

### **Parameter Selector**

Use this feature to select the parameter of your Subnet Masks configuration.

**Subnet Mask**

This item displays the current subnet mask setting for your IPMI connection.

**Current Subnet Mask in BMC**

This item displays the current subnet mask used for your IPMI connection.

**► Gateway Address Configuration**

Enter the gateway address for this machine. This should be in decimal and in dotted quad form (i.e., 192.168.10.253). The value of each three-digit number separated by dots should not exceed 255 as shown in the screen below.

**Parameter Selector**

Use this feature to select the parameter of your Gateway Address settings.

**Gateway Address**

The BIOS will automatically enter the Gateway address of this machine; however it may be over-ridden. Gateway addresses are 6 two-digit hexadecimal numbers separated by dots.

**Current Gateway Address in BMC**

This item displays the current Gateway address used for your IPMI connection.

**► DMI Event Log****View Event Log**

Use this option to view the System Event Log.

**Mark all events as read**

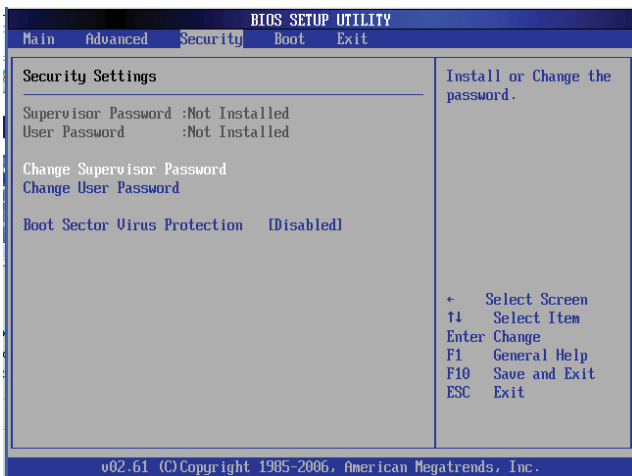
This option marks all events as read. The options are OK and Cancel.

**Clear event log**

This option clears the Event Log memory of all messages. The options are OK and **Cancel**.

## 7-4 Security Settings

The AMI BIOS provides a Supervisor and a User password. If you use both passwords, the Supervisor password must be set first.



### Supervisor Password

This item indicates if a Supervisor password has been entered for the system. "Not Installed" means a Supervisor password has not been used.

### User Password

This item indicates if a user password has been entered for the system. "Not Installed" means that a user password has not been used.

### Change Supervisor Password

Select this feature and press <Enter> to access the submenu, and then type in a new Supervisor Password.

### User Access Level (Available when Supervisor Password is set as above)

Available options are **Full Access**: grants full User read and write access to the Setup Utility, **View Only**: allows access to the Setup Utility but the fields cannot be changed, **Limited**: allows only limited fields to be changed such as Date and Time, **No Access**: prevents User access to the Setup Utility.

### Change User Password

Select this feature and press <Enter> to access the submenu, and then type in a new User Password.

**Clear User Password (Available only when User Password has been set)**

This item allows you to clear a user password after it has been entered.

**Password Check**

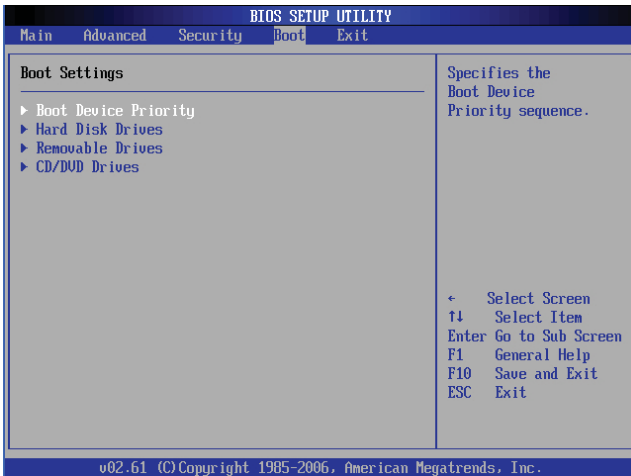
This item allows you to check a password after it has been entered. The options are **Setup** and **Always**.

**Boot Sector Virus Protection**

When Enabled, the AMI BOIS displays a warning when any program (or virus) issues a Disk Format command or attempts to write to the boot sector of the hard disk drive. The options are Enabled and **Disabled**.

## 7-5 Boot Configuration

Use this feature to configure boot settings.



### ► Boot Device Priority

This feature allows the user to specify the sequence of priority for the Boot Device. The settings are 1st boot device, 2nd boot device, 3rd boot device, 4th boot device, 5th boot device and Disabled.

- 1st Boot Device - [USB: XXXXXXXXXX]
- 2nd Boot Device - [CD/DVD: XXXXXXXXXX]

## ► Hard Disk Drives

This feature allows the user to specify the boot sequence from all available hard disk drives. The settings are Disabled and a list of all hard disk drives that have been detected (i.e., 1st Drive, 2nd Drive, 3rd Drive, etc).

- 1st Drive - [SATA: XXXXXXXXX]

## ► Removable Drives

This feature allows the user to specify the boot sequence from available Removable Drives. The settings are 1st boot device, 2nd boot device, and Disabled.

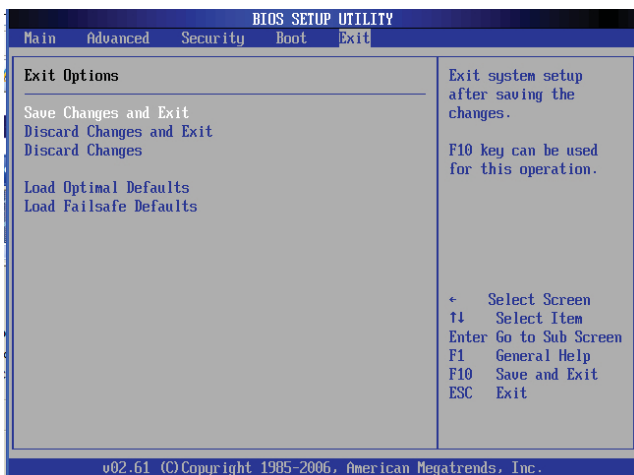
- 1st Drive - [USB: XXXXXXXXX]
- 2nd Drive

## ► CD/DVD Drives

This feature allows the user to specify the boot sequence from available CD/DVD Drives (i.e., 1st Drive, 2nd Drive, etc).

## 7-6 Exit Options

Select the Exit tab from the AMI BIOS Setup Utility screen to enter the Exit BIOS Setup screen.



**Save Changes and Exit**

When you have completed the system configuration changes, select this option to leave the BIOS Setup Utility and reboot the computer, so the new system configuration parameters can take effect. Select Save Changes and Exit from the Exit menu and press <Enter>.

**Discard Changes and Exit**

Select this option to quit the BIOS Setup without making any permanent changes to the system configuration, and reboot the computer. Select Discard Changes and Exit from the Exit menu and press <Enter>.

**Discard Changes**

Select this option and press <Enter> to discard all the changes and return to the AMI BIOS Utility Program.

**Load Optimal Defaults**

To set this feature, select Load Optimal Defaults from the Exit menu and press <Enter>. Then, select OK to allow the AMI BIOS to automatically load Optimal Defaults to the BIOS Settings. The Optimal settings are designed for maximum system performance, but may not work best for all computer applications.

**Load Fail-Safe Defaults**

To set this feature, select Load Fail-Safe Defaults from the Exit menu and press <Enter>. The Fail-Safe settings are designed for maximum system stability, but not for maximum performance.

## 7-7 BIOS Recovery

**Warning!** Do not upgrade the BIOS unless your system has a BIOS-related issue. Flashing the wrong BIOS can cause irreparable damage to the system. In no event shall Supermicro be liable for direct, indirect, special, incidental, or consequential damages arising from a BIOS update. If you need to update the BIOS, do not shut down or reset the system while the BIOS is updating. This is to avoid possible boot failure.

### **How to Recover the AMIBIOS Image (-the Main BIOS Block)**

An AMIBIOS flash chip consists of a boot sector block, and a main BIOS code block (a main BIOS image). The boot sector block contains critical BIOS code, including memory detection and recovery code to be used to flash a new BIOS image if the original BIOS Image is corrupted. When the system is powered on, the boot sector code executes first. Once it is completed, the main BIOS code will continue with system initialization and complete the bootup process.

**Note:** BIOS Recovery described below is used when the main BIOS block crashes. However, when the BIOS Boot sector crashes, you will need to send the motherboard back to Supermicro for RMA repairs.

#### ***Boot Sector Recovery from a USB Device***

This feature allows the user to recover a BIOS image using a USB device without additional utilities needed. A user can download the BIOS image into a USB flash device, and name the file "SUPER.ROM" for the recovery process to load the file. A USB flash device such as a USB Flash Drive, a USB CDRW or a USB CDRW device can be used for this purpose,

1. Insert the USB device that contains the new BIOS image (the ROM files) saved in a root directory into your USB drive.
2. While turning the power on, press and hold <Ctrl> and <Home> at the same time until the USB Access LED Indicator comes on. This might take a few seconds.
3. Once the USB drive LED is on, release the <Ctrl> and <Home> keys. AMIBIOS will issue beep codes to indicate that the BIOS ROM file is being updated.
4. When BIOS flashing is completed, the computer will reboot. Do not interrupt the flashing process until it is completed.



### ***Boot Sector Recovery from an IDE CD-ROM***

This process is almost identical to the process of Boot Sector Recovery from a USB device, except that the BIOS image file is loaded from a CD-ROM. Use a CD-R or CD-RW drive to burn a CD with the BIOS image file in it, and name the file "SUPER.ROM" for the recovery process to load the file.

### ***Boot Sector Recovery from a Serial Port ("Serial Flash")***

This process, also known as "Serial Flash," allows the user to use a serial port to load a BIOS image for Boot Sector recovery. This feature is usually used for embedded systems that rely on a serial port for remote access and debugging.

#### *Requirements*

In order to use Serial Flash for Boot Sector Recovery, you will need to meet the following requirements.

- The "Target system," the system that needs BIOS updates, must have a serial port and "Serial Flash" support embedded in the BIOS image file.
- The "Host system" should also have a serial port and a terminal program that supports XModem Transfer protocol (Hyper Terminal for the Windows operating systems, and minicom for Linux/FreeSBD, etc.).
- A Null\_modem serial cable

#### ***How to use Serial Flash for Boot Sector Recovery***

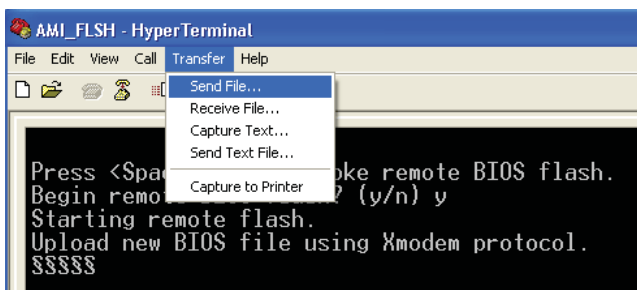
1. Connect a Null\_modem serial cable between the target system and the host system that runs the terminal program.
2. Make sure that the new BIOS Image file is accessible for the host system.
3. Start the terminal program on the host system and create a new connection. Use the following communication parameters for the new connection.
  - Bits per second: 115200 bits/sec.
  - Data Bits: 8
  - Parity: None
  - Stop Bit: 1
  - Flow Control: None

4. Power on your system and click the <Connect> button in the Hyper Terminal. The terminal screen will display the following messages.

```
Press <SpaceBar> to update BIOS.
Confirm update BIOS? (y/n) y
Begin remote BIOS flash? (y/n) y
Starting remote flash.
Upload new BIOS file using Xmodem protocol.
```

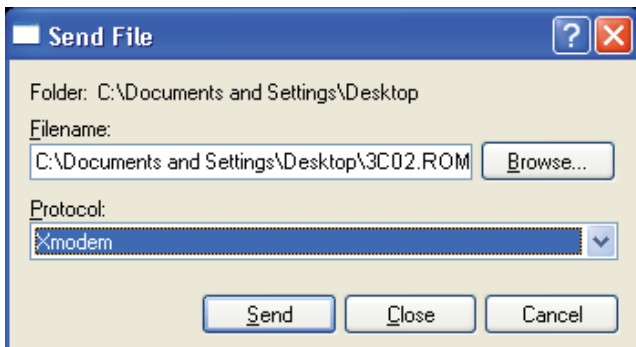
5. Following the instructions given on the screen to update the BIOS. These instructions are also shown below.
  - a. At the prompt, press the <SpaceBar> to update the BIOS.
  - b. When asked to confirm BIOS updating, press <y> to confirm BIOS updates.
  - c. Press <y> again to begin flashing BIOS remotely.

**Note:** Be sure to complete Steps a-c above quickly because you have a second or less to do so.
6. Once you've completed the instructions given, a screen will display to indicate that remote flashing is starting and the new BIOS file is being uploaded.
7. To use Hyper Terminal to transfer the XModem protocol by using the "Send File" dialog under the "Transfer" menu, follow the instructions below to complete XModem transfers.
  - a. Select the "Transfer" menu and enter <Send>.



- b. Specify the location of the ROM file and select the proper protocol (XModem).

- c. Press <Send> to start ROM File extraction. (See the picture below.)



- d. Once the ROM file extraction is completed, the message: "New BIOS received OK" will display.

```
Starting FLASH Recovery.  
NVRAM data will be destroyed.  
CMOS data will be preserved.  
.....  
Ending FLASH Recovery.  
FLASH Update completed successfully.  
Rebooting...
```

8. Once remote BIOS flash is completed, the system will reboot.

**Note:** AMIBIOS Serial Flash will work with any terminal communications program that supports VT-100 and XModem protocols, including protocols designed for GNU/LINUX & BSD operating systems such as minicom. It is recommended that the terminal program be configured to use the 'CR/LF' style of line termination.

## Notes

## Appendix A

### BIOS Error Beep Codes

During the POST (Power-On Self-Test) routines, which are performed each time the system is powered on, errors may occur.

Non-fatal errors are those which, in most cases, allow the system to continue the boot-up process. The error messages normally appear on the screen.

Fatal errors will not allow the system to continue the boot-up procedure. If a fatal error occurs, you should consult with your system manufacturer for possible repairs.

#### A-1 BIOS Error Beep Codes

BIOS Error Beep Codes		
Beep Code	Error Message	Description
1 beep	Refresh	Circuits have been reset. (Ready to power up)
5 short beeps + 1 long beep	Memory error	No memory detected in the system
8 beeps	Display memory read/ write error	Video adapter missing or with faulty memory
1 continuous beep (with the front panel OH LED on)	System Overheat	1 continuous beep with the front panel OH LED on

# Notes

## Appendix B

### System Specifications

**Note:** unless noted specifications apply to a complete system (four serverboards).

#### Processors

Eight Intel® 5500/5600 series processors in LGA 1366 sockets

**Note:** Please refer to our website for details on supported processors.

#### Chipset

Intel 5520/ICH10R

#### BIOS

32 Mb AMI SPI Flash ROM (each serverboard)

#### Memory Capacity (each Serverboard)

Twelve 240-pin DIMM sockets that can support up to 192 GB of registered ECC DDR3-1333/1066/800 SDRAM, or 48 GB of Unbuffered ECC/Non-ECC 1333/1066/800 MHz Memory (with max. 4 GB of Registered ECC and 2 GB of Unbuffered memory per DIMM slot.)

**Note:** interleaved memory requires DIMMs to be installed in pairs - refer to Section 5-6 for details.

#### Serial ATA Controller

Intel ICH10R on-chip controller to support six 3 Gb/s Serial ATA (RAID 0, 1)

#### SATA Drive Bays

Twelve hot-swap drive bays to house standard SATA drives (three per node)

#### PCI Expansion

Four low-profile PCI Express x16 slots (with pre-installed riser cards)

#### Serverboard

6026TT-HT(R)F: X8DTT-HF

6026TT-HIBX(R)F: X8DTT-HIBXF

6026TT-HIBQ(R)F: X8DTT-HIBQF

Dimensions (all): (LxW) 16.64" x 6.8" (422.66 mm x 172.72 mm)

## Chassis

SC827H-(R)1400B (2U Rackmount)

Dimensions: (WxHxD) 17.2 x 3.5 x 28.5 in. (437 x 89 x 724 mm)

## Weight

Gross Weight: 85 lbs (38.6kg)

## System Cooling

Four 8-cm PWM (Pulse Width Modulated) fans

## System Input Requirements

AC Input Voltage: 100 - 240V AC auto-range

Rated Input Current: 11.5 - 5.5A max

Rated Input Frequency: 50 to 60 Hz

## Power Supply

Rated Output Power: 1400W (Part# PWS-1K41P-1R) 80 Plus Gold Certified

Rated Output Voltages: +12V (91A @ 110V, 116A @ 180~240V), +5Vsb (4A @ 240V, 4A @ 100V)

**Note:** The SuperServer 6026TT-HTRF, 6026TT-HIBXRF and 6026TT-HIBQRF servers all come with a redundant power supply.

## Operating Environment

Operating Temperature: 10° to 35° C (50° to 95° F)

Non-operating Temperature: -40° to 70° C (-40° to 158° F)

Operating Relative Humidity: 20% to 95% (non-condensing)

Non-operating Relative Humidity: 5 to 95% (non-condensing)



## **Regulatory Compliance**

Electromagnetic Emissions: FCC Class A, EN 55022 Class A, EN 61000-3-2/-3-3, CISPR 22 Class A

Electromagnetic Immunity: EN 55024/CISPR 24, (EN 61000-4-2, EN 61000-4-3, EN 61000-4-4, EN 61000-4-5, EN 61000-4-6, EN 61000-4-8, EN 61000-4-11)

Safety: CSA/EN/IEC/UL 60950-1 Compliant, UL or CSA Listed (USA and Canada), CE Marking (Europe)

California Best Management Practices Regulations for Perchlorate Materials: This Perchlorate warning applies only to products containing CR (Manganese Dioxide) Lithium coin cells. "Perchlorate Material-special handling may apply. See [www.dtsc.ca.gov/hazardouswaste/perchlorate](http://www.dtsc.ca.gov/hazardouswaste/perchlorate)" for further details.

## Notes

(continued from front)

The products sold by Supermicro are not intended for and will not be used in life support systems, medical equipment, nuclear facilities or systems, aircraft, aircraft devices, aircraft/emergency communication devices or other critical systems whose failure to perform be reasonably expected to result in significant injury or loss of life or catastrophic property damage. Accordingly, Supermicro disclaims any and all liability, and should buyer use or sell such products for use in such ultra-hazardous applications, it does so entirely at its own risk. Furthermore, buyer agrees to fully indemnify, defend and hold Supermicro harmless for and against any and all claims, demands, actions, litigation, and proceedings of any kind arising out of or related to such ultra-hazardous use or sale.